

**PROCUREMENT OF SMALL WORKS
UNDER
NATIONAL COMPETITIVE BIDDING
PROCEDURES**

**[to be used for contracts valued less than US\$ 1 million]
(One-Envelope Bidding Process without e-Procurement)**

April 2023

**OFFICE OF THE MANAGING DIRECTOR “BISWANATH MUSTARD OIL
PRIVATE LIMITED”, “CHENGMORA JARANI (SUTAR DOLONI),
DISTRICT: BISWANATH”,**

ASSAM - 784178

Mob:-9435485233

Email-biswanathmustardoilpvtltd@yahoo.com

**INVITATIONS FOR BIDS (IFB)
(One-Envelope Bidding Process without e-Procurement)**

**NATIONAL COMPETITIVE BIDDING
FOR SMALL WORKS**

Date: 31st March 2023

Bid No.: CFC/APART/BNC/01/2023

1. The Government of India has received financing from the World Bank toward the cost of the Assam Agribusiness and Rural Transformation Project (APART) and intends to apply part of the proceeds toward eligible payments under the contract for construction of works as detailed below.
2. Bidding is open to all bidders from eligible source countries as defined in the *IBRD Guidelines for Procurement*. Bidders from India should, however, be registered with the Government of Assam or other State Governments/Government of India, or State/Central Government Undertakings. **Bidders are advised to note the minimum qualification criteria specified in Clause 3 of the Instructions to Bidders to qualify for the award of the contract.** In addition, please refer to paragraphs 1.6 and 1.7 of the World Bank’s Guidelines setting forth the World Bank’s policy on conflict of interest.
3. The Managing Director of “**M/s. BISWANATH MUSTARD OIL PRIVATE LIMITED**”, **CHENGMORA JARANI (SUTAR DOLONI)**, **BISWANATH** (the Cluster under Implementing Agency Commissioner of Industries & Commerce, Govt. of Assam) invites sealed bids for the construction of works detailed below in the table. The bidders may submit bids for any or all of the works indicated therein.
3. Bidding documents (and additional copies) may be purchased from the office of **The General Manager, District Industries & Commerce Centre (DI&CC), Sonitpur from 10 AM ,01.04.2023 to 5 PM, 02.05.2023**, for a non-refundable fee as indicated, in the form of cash or Demand Draft on any Scheduled bank payable at **SBI Balijan Branch** in favour of **BISWANATH MUSTARD OIL PRIVATE LIMITED**. Interested bidders may obtain further information at the same address. Bidding documents requested by mail will be dispatched by courier/registered/speed post on payment of an extra amount of Rs. 500. The Managing Director of M/s., “**BISWANATH MUSTARD OIL PRIVATE LIMITED**”, **CHENGMORA JARANI (SUTAR DOLONI)**, **BISWANATH** will not be held responsible for the postal delay if any, in the delivery of the documents or non-receipt of the same.

4. Bids must be accompanied by a bid security of the amount specified for the work in the table below, drawn in favour of Biswanath Mustard Oil Private Limited, Gohpur. Bid security will have to be in any one of the forms as specified in the bidding document and shall have to be valid for 45 days beyond the validity of the bid. Bids should be valid for 45 days after the deadline date specified for submission.
5. Bids must be delivered to O/o The General Manager, District Industries & Commerce Centre (DI&CC), Tezpur-784001, Sonitpur, Assam on or **before 11 AM on 3rd May 2023** and will be publicly opened on the same day at 11.30 hours, in the presence of the bidders who wish to attend. If the office happens to be closed on the date of receipt of the bids as specified, the bids will be received and opened on the next working day at the same time and venue.
6. Other details can be seen in the bidding documents.

TABLE

Package No.	Name of work	Bid Security (Rs.)	Cost of document (Rs.)	Period of completion
APART/CDTA /CFC/ BISWANATH/ 01/2022-23	CONSTRUCTION OF MUSTARD OIL PROCESSING CENTER AT CHENGMORA JARANI BISWANATH	1.09 Lakhs	1,000/- (Including GST)	9 Months including rainy season.

**MANAGING DERECTOR
 “BISWANATH MUSTARD OIL PRIVATE LIMITED”,
 CHENGMORA JARANI (SUTAR DOLONI),
 PO: KALABARI, BISWANATH (DIST.),
 ASSAM - 784178**

Instructions to Bidders

SECTION - A

1. Scope of Works

The Managing director “Biswanath mustard oil private limited”, Chengmora Jarani (Sutar Doloni), PO: Kalabari, Biswanath, Assam - 784178 invites bids for the construction of works as detailed in the table given below

Brief Description of the Works	Approximate value of Works (Rs.)	Period of Completion
CONSTRUCTION OF MUSTARD OIL PROCESSING CENTER AT CHENGMORA JARANI BISWANATH	109 Lakhs	9 months including rainy season

The successful bidder will be expected to complete the works by the intended completion date specified above.

2. **Qualification of the bidder:** The bidder shall provide qualification information which shall include:-

- a) total monetary value of construction works performed for each year of the last 3 years; 2019-20, 2020-21 & 2021-22
- b) Report on his financial standing; i.e., Audited financial statements of last three years 2019-20, 2020-21 & 2021-22; and
- c) Details of any litigation, current or during the last 3 years in which the bidder is involved, the parties concerned and disputed amount or awards in each case.

3. **To qualify for award of the contract, the bidder:-**

- (a) should have satisfactorily completed as a prime contractor at least one similar work of value not less than Rs. 87 Lakhs in the last three years;
- (b) should have achieved in at least one year an annual financial turnover (in civil engineering construction works of similar nature only) of value not less than Rs. 109 Lakhs in the last three years;

- (c) should possess valid electrical license for executing building electrification works (in the event of the works being sub - contracted, the sub-contractor should have the necessary license);
- (d) should possess required valid license for executing the water supply/sanitary works (in the event of the works being sub-contracted, the sub-contractor should have the necessary license);
- (e) should not have been debarred (or dealings suspended) on the date of bid opening by the Central/State Governments/undertakings or by the World Bank Group.
- (f) no contract should have been suspended or terminated and/or performance security called by an employer(s) for reasons related to Environmental, Social, Health, or Safety (ESHS) performance in the past five years.
- (g) availability of liquid assets and/or credit facilities, net of other contractual commitments and exclusive of any advance payments which may be made under the Contract, of not less than **Rs. 33 Lakhs** (30%).

(## Credit lines/letter of credit/certificates from Banks for meeting the funds requirement etc.- usually the equivalent of the estimated cash flow for 3 months in peak construction period)

3.1 Eligibility - Conflict of Interest*

Any Bidder found to have a conflict of interest shall be disqualified. A Bidder may be considered to have a conflict of interest for the purpose of this bidding process, if the Bidder:

- i. directly or indirectly controls, is controlled by or is under common control with another Bidder; or
- ii. receives or has received any direct or indirect subsidy from another Bidder; or
- iii. has the same legal representative as another Bidder; or
- iv. has a relationship with another Bidder, directly or through common third parties, that puts it in a position to influence the bid of another Bidder, or influence the decisions of the Employer regarding this bidding process; or
- v. any of its affiliates has been hired (or is proposed to be hired) by the Employer or Borrower as Engineer for the Contract implementation;
- vi. has a close business or family relationship with the concerned professional staff of the project implementing agency.

(* for further details refer to Procurement Guidelines Clauses 1.6 to 1.8)

4. Bid Price

- a) The contract shall be for the whole works as described in drawings and technical specifications. Corrections, if any, shall be made by crossing out, initialing, dating, and rewriting.
- b) All duties, taxes and other levies payable by the contractor under the contract shall be included in the total price.
- c) The rates quoted by the bidder shall be fixed for the duration of the contract and shall not be subject to adjustment on any account.
- d) The Bidder shall fill in the prices for the Works in conformity with the Bidding Documents, both in figures and words.

5. Submission of Bids

5.1 The bidder is advised to visit the site of works at his own expense and obtain all information that may be necessary for preparing the bid.

5.2 Each bidder shall submit only one bid. Bidders should not contact other competing bidders in matters relating to this bid.

5.3 The set of bidding documents comprise of the following:

- i. Layout Drawings of the works;
- ii. Structural Details;
- iii. Technical Specifications;
- iv. Instructions to Bidders; and
- v. Draft Contract Agreement format which will be used for finalizing the agreement for this Contract.

5.4 Bidder requiring any clarification of the Bidding Documents may request the Employer in writing. Response of the Employer including a description of the inquiry, but without identifying its source, shall be forwarded to all purchasers of the bidding documents.

5.5 The bid submitted by the bidder shall comprise the following:-

(a) Bid in the format given in Section B.

(b) Qualification information form given in Section B duly completed.

(c) Bidder's confirmation to comply with (i) the applicable Laws/ Rules/ Regulations for protection of environment, public health and safety; (ii) the regulatory authority conditions (if any) attached to any permits or approvals for the project; and (iii) the Environmental,

Social, Health and Safety (ESHS) Management Strategies and Implementation Plan and ESHS Code of Conduct, (if any prescribed by the Employer¹), that will apply to its employees and all subcontractors.

(d) Bid Security, in original form for the amount **Rs. 1.09 Lakhs** in one of the following forms:

- A bank guarantee issued by a nationalized/scheduled bank located in India in the form given in Section B; or
- Certified cheque or Bank draft payable to SBI, Balijan Branch
- Fixed Deposit/Time Deposit certificates issued by a Nationalized or Scheduled Bank located in India for equivalent or higher values are acceptable provided it is pledged in favour of Biswanath Mustard oil private Limited, and such pledging has been noted and suitably endorsed by the bank issuing the deposit certificate.

5.6 The bidder shall seal the bid in an envelope addressed to
The MANAGING DERECTOR
“BISWANATH MUSTARD OIL PRIVATE LIMITED”,
CHENGMORA JARANI (SUTAR DOLONI),
BISWANATH (DIST.), ASSAM - 784178

The envelope will also bear the following identification:-

- Bid for “CONSTRUCTION OF MUSTARD OIL PROCESSING CENTER AT CHENGMORA JARANI BISWANATH”.
- Do not open before **11.30 AM , 3rd May 2023**

5.7 Bids must be received in the office of the **The General Manager, District Industries & Commerce Centre (DI&CC), Sonitpur** not later than the time and date given in the Invitation for Bids. If the specified date is declared a holiday, bids shall be received upto the appointed time on the next working day.

5.8 Any bid received by the MANAGING DERECTOR “BISWANATH MUSTARD OIL PRIVATE LIMITED”, (Employer) after the deadline for submission of bids will be rejected and returned unopened to the bidder.

6. Validity of Bid

Bid shall remain valid for a period not less than 45 days after the deadline date specified for submission. If a Bidder withdraws/modifies/substitutes its bid during the period of bid validity specified by the Bidder on the Letter of Bid, the Bid Security may be forfeited.

¹ If considered necessary, the Employer may attach minimum requirements for ESHS Management Strategies and Implementation Plans and ESHS Code of Conduct.

7. Public Opening of Bids

Bids will be publicly opened in the presence of bidders or their representatives who choose to attend on the date and time and at the place specified in sub-clause 5.7 above.

- 8. Information** relating to evaluation of bids and recommendations for the award of contract shall not be disclosed to bidders or any other persons not officially concerned with the process until the award to the successful bidder is announced.

9. Evaluation of Bids

9.1 Correction of Arithmetical Errors

Bids determined to be substantially responsive shall be checked for any arithmetic errors. Errors shall be corrected as follows:

- where there is a discrepancy between the amounts in figures and in words, the amount in words shall govern;

The amount stated in the Bid shall be adjusted in accordance with the above procedure for the correction of errors

If the Bidder does not accept the corrected amount, the Bid shall be rejected, and the Bid Security may be forfeited.

- 9.2** The Employer will evaluate and compare the bids determined to be substantially responsive i.e. which

- (a) meet the qualification criteria specified in clause 3 above;
- (b) are properly signed; and
- (c) conform to the terms and conditions, specifications and drawings without material deviations.

10. Award of contract

The Employer will award the contract to the bidder whose bid has been determined to be substantially responsive and who has offered the lowest evaluated bid price and who meets the specified qualification criteria.

- 10.1** Notwithstanding the above, the Employer reserves the right to accept or reject any bids and to cancel the bidding process and reject all bids at any time prior to the award of contract.

- 10.2** The bidder whose bid is accepted will be notified of the award of contract by the Employer prior to expiration of the bid validity period.

- 10.3** The Bid security of unsuccessful bidders will be returned as promptly as possible upon the successful Bidder's signing the contract and furnishing the performance security pursuant to ITB 11.

11. Performance Security

Within 15 days of receiving letter of acceptance, the successful bidder shall deliver to the Managing Director of M/s. **BISWANATH MUSTARD OIL PRIVATE LIMITED**", **"CHENGMORA JARANI (SUTAR DOLONI), DISTRICT: BISWANATH", ASSAM – 784178** the performance security (either a bank guarantee or a bank draft in favour of the Employer) for an amount equivalent of 5% of the contract price. The Performance Security shall be valid until a date 28 days after the date of issue of the Certificate of Completion. Failure of the successful Bidder to furnish performance security and signing the agreement within the period stipulated shall constitute sufficient grounds for annulment of award and forfeiture of the Bid Security, in which case the Employer may make the award to the next lowest evaluated bidder or call for new bids.

12. Defects Liability:

The "Defects Liability Period" for the work is six months from the date of taking over possession or one full monsoon season whichever occurs later. During this period, the contractor will be responsible for rectifying any defects in construction free of cost to the Employer.

- 13.** Supply of all construction materials including cement and steel as per the specifications (ISI certification marked goods wherever available) shall be the responsibility of the contractor.

14. Corrupt and Fraudulent Practices

The World Bank requires compliance with its policy in regard to corrupt and fraudulent practices as set forth in Section C. In further pursuance of this policy, Bidders shall permit and shall cause its agents (whether declared or not), sub-contractors, sub-consultants, service providers, or suppliers and any personnel thereof, to permit the Bank to inspect all accounts, records and other documents relating to any prequalification process, bid submission, and contract performance (in the case of award), and to have them audited by auditors appointed by the Bank.

.....

SECTION - B

- 1. Format for Qualification Information.**
- 2. Format for Submission of Bid.**
- 3. Format of Letter of Acceptance.**

QUALIFICATION INFORMATION

1 For Individual Bidders

1.1 Principal place of business: _____

Power of attorney of signatory of Bid.
[Attach copy]

1.2 Total value of Civil** Engineering 2019-20 _____
construction work performed in the last 2020-21 _____
three years (in Rs. Lakhs) 2021-22 _____

1.3 Work performed as prime contractor (in the same name) on works of a similar nature over the last three years.

Project Name	Name of Employer	Description of work	Contract No.	Value of contract (Rs. Lakhs)	Date of issue of work order	Stipulated period of completion	Actual date of completion	Remarks explaining reasons for delay and work completed

Existing commitments and on-going works:

Description of Work	Place & State	Contract No. & Date	Value of Contract (Rs. Lakh)	Stipulated period of completion	Value of works* remaining to be completed (Rs. Lakhs)	Anticipated date of completion
(1)	(2)	(3)	(4)	(5)	(6)	(7)

* Enclose a certificate from Engineer concerned.

** Modify as appropriate.

1.4 Proposed subcontracts and firms involved.

Sections of the works	Value of Sub-contract	Sub-contractor (name & address)	Experience in similar work

1.5 Evidence of access to financial resources to meet the requirement of working capital: cash in hand, lines of credit, etc. List them below and attach copies of supporting documents.

1.6 Name, address, and telephone, telex, and fax numbers of the Bidders' bankers who may provide references if contacted by the Employer.

1.7 Information on litigation history in which the Bidder is involved.

Other party(ies)	Employer	Cause of dispute	Amount involved	Remarks showing present status

1.8 Contract(s) suspended or terminated and/or Performance Security called by an employer(s) for reasons related to Environmental, Social, Health, or Safety (ESHS) performance during the last five years.

Contract(s) suspended or terminated by an Employer(s)			
Year	Contract Identification, Name and address of the Employer, and reasons for suspension or termination	Amount of suspended or terminated portion of contract (Rs)	Total Contract Amount (Rs)
Performance Security called by an employer(s)			
Year	Contract Identification, Name and address of the Employer, and reasons for calling of performance security	Total Contract Amount (Rs)	

LETTER OF BID

Description of the Works: CONSTRUCTION OF MUSTARD OIL PROCESSING CENTER,
CHENGMORA JARANI (SUTAR DOLONI), BISWANATH

Date:
Invitation for Bid No.:

To:

Subject : Construction of
.....

Sir,

We have no reservations to the Bidding Documents, and offer to execute the Works in conformity with the Bidding Documents in accordance with the Conditions of Contract enclosed therein at a total Fixed Contract Price of –

Rs.** _____ [in figures]
Rs. _____ [in words].

This bid and your written acceptance of it shall constitute a binding contract between us. We understand that you are not bound to accept the lowest or any bid you receive.

We hereby certify that we have taken steps to ensure that no person acting for us or on our behalf will engage in bribery or collusive arrangements with competitors.

We also undertake that, in competing for (and, if the award is made to us, in executing) the above contract, we will strictly observe the laws against fraud and corruption in force in India on date namely “Prevention of Corruption Act 1988.”

We hereby confirm that this bid is valid for 45 days as required in Clause 6 of the Instructions to Bidders.

We meet the eligibility requirements and have no conflict of interest in accordance with ITB 3.1

We have not been debarred/removed from approved list (dealings suspended) by the Central or any State Government or by the World Bank Group.

Yours faithfully,

Authorized Signature : _____ Date: _____

Name & Title of Signatory : _____

Name of Bidder : _____

Address : _____

** To be filled in by the Bidder, together with his particulars and date of submission at the bottom of this Form.

**LETTER OF ACCEPTANCE
CUM NOTICE TO PROCEED WITH THE WORK
(LETTERHEAD OF THE EMPLOYER)**

Dated: _____

To : _____ [Name and address of the Contractor]

Dear Sirs,

This is to notify you that your Bid dated _____ for execution of the _____ for the contract price of Rupees _____ [amount in words and figures], is hereby accepted by us.

You are hereby requested to furnish performance security for an amount of Rs. _____ (equivalent to 5% of the contract price) within 15 days of the receipt of the letter. The Performance Security in the form of Bank guarantee or a Bank draft in favour of(Employer) shall be valid until a date 28 days after the date of issue of the Certificate of Completion i.e. upto _____. Failure to furnish the Performance Security will entail cancellation of the award of contract.

You are also requested to sign the agreement form and proceed with the work not later than _____ under the instructions of the Engineer, _____ and ensure its completion within the contract period.

With the issuance of this acceptance letter and your furnishing the Performance Security, contract for the above said work stands concluded.

Yours faithfully,

**Authorized Signature
Name and title of Signatory**

Draft Agreement form for Construction through Lump Sum Contract

ARTICLES OF AGREEMENT

1. This deed of agreement is made in the form of agreement on _____ day _____ month _____ 20 ____, between the _____ (Employer) or his authorized representative (hereinafter referred to as the first party) and _____ (Name of the Contractor), S/O _____ resident of _____ (hereinafter referred to as the second party), to execute the work of construction of _____ (hereinafter referred to as works) on the following terms and conditions.

2. Cost of the Contract

The total cost of the works (hereinafter referred to as the “total cost”) is Rs. ___ as reflected in Annexure - 1.

3.1 Payments under the contract:

Payments to the second party for the construction work will be released by the first party in the following manner:-

SL No	Description of Payment Milestones	Percentage of Payment to be released
1.	On signing of agreement	10% of the contract price on receipt of unconditional bank guarantee in the format attached@
2.	On completion of complete foundation work of all structures and reaching plinth level	20% of the contract price
3.	On completion of all RCC super-structure works including Columns, lintels and Roof beam, RCC flooring/ Roof Slab wherever applicable	10% of the contract price
4.	On completion of all brick masonry work including external and internal brick walls	10% of the contract price
5.	On complete fabrication and erection of all steel structure works (including truss, purlins, roofing, wall cladding, etc)	10% of the contract price
6.	On completion of all finishing works including (internal and external plastering, putty painting, etc.), On fixing of all door, window, rolling shutter, ventilators, etc.	10% of the contract price
7.	On completion of all internal and external plumbing and electrical works, On completion of all external development works (like	15% of the contract price

	Boundary wall, Gate Complex, Internal roads, drains, street lights, etc.)	
8.	On completion of any other remaining work and handover of entire project	15% of the contract price

3.2 The advance shall be repaid with percentage deductions from the interim payments, commencing with the next Interim Payment at the rate of 15_percent of the amounts of all Interim Payment Certificates until the advance has been repaid, always provided that the advance shall be completely repaid prior to the expiry of the original time for completion.

@ The Guarantee shall remain effective until the advance payment has been repaid

3.3 The Employer shall retain (Retention Money) 6% of the amount from each payment due to the Contractor subject to the maximum of 5% of final contract price. Half of the amount retained shall be repaid upon completion of the works, and other half shall be repaid when the Defects Liability Period has passed, and the Engineer has certified that all Defects notified to the Contractor before the end of this period have been corrected. On completion of the whole works the Contractor may substitute the balance retention money with an “on demand” Bank guarantee.

3.4 Payments at each stage will be made by the first party:

- (a) on the second party submitting an invoice for an equivalent amount;
- (b) on certification of the invoice (except for the first installment) by the engineer nominated by the first party with respect to quality of works in the format in Annexure - 2; and
- (c) upon proper and justified utilization of at least 50 % of the previous installment and 100 % of any prior installment.

4. Notice by Contractor to Engineer

The second party, on the works reaching each stage of construction, shall issue a notice to the first party or the Engineer nominated by the first party [who is responsible for supervising the contractor, administering the contract, certifying payments due to the contractor, issuing and valuing variations to the contract, awarding extension of time etc.) to visit the site for certification of stage completion. Within 15 days of the receipt of such notice, the first party or the engineer nominated by it, will ensure issue of stage completion certificate after due verification.

5. Completion time

The works should be completed in 9 months from the date of this Agreement. In exceptional circumstances, the time period stated in this clause may be extended in writing by mutual consent of both the parties.

6. If any of the compensation events mentioned below would prevent the work being completed by the intended completion date, the first party will decide on the intended completion date being extended by a suitable period:
- a) The first party does not give access to the site or a part thereof by the agreed period.
 - b) The first party orders a delay or does not issue completed drawings, specifications or instructions for execution of the work on time.
 - c) Ground conditions are substantially more adverse than could reasonably have been assumed before issue of letter of acceptance and from information provided to second party or from visual inspection of the site.
 - d) Payments due to the second party are delayed without reason.
 - e) Certification for stage completion of the work is delayed unreasonably.
7. Any willful delay on the part of the second party in completing the construction within the stipulated period will render him liable to pay liquidated damages. @ Rs. 5,500/- per day which will be deducted from payments due to him. The first party may cancel the contract and take recourse to such other action as deemed appropriate once the total amount of liquidated damages exceeds 5 % of the contract amount.

8. Duties and responsibilities of the first party

- 8.1** The first party shall be responsible for providing regular and frequent supervision and guidance to the second party for carrying out the works as per specifications. This will include written guidelines and regular site visit of the authorized personnel of the first party, for checking quality of material and construction to ensure that it is as per the norms.
- 8.2** The first party shall supply 3 sets of drawings, specifications and guidelines to the second party for the proposed works.
- 8.3** Possession of the site will be handed over to the second party within 10 days of signing of the agreement.
- 8.4** The Engineer or such other person as may be authorized by the first party shall hold meeting once in a month where the second party or his representative at site will submit the latest information including progress report and difficulties if any, in the execution of the work. The whole team may jointly inspect the site on a particular day to take stock of activities.
- 8.5** The Engineer shall record his observations/instructions at the time of his site visit in a site register maintained by the second party. The second party will carry out the instructions and promptly rectify any deviations pointed out by the engineer. If the deviations are not rectified, within the time specified in the Engineer's notice, the first party as well as the engineer nominated by it, may instruct stoppage or suspension of the construction. It shall thereupon be open to the first party or the engineer to have the deviations rectified at the cost of the second party.

8.6 The Engineer shall issue a Certificate of Completion of the Works on the request of the second party, and upon deciding that the whole of the Works is completed.

9. Duties and responsibilities of the second party

9.1 The second party shall:

- a) take up the works and arrange for its completion within the time period stipulated in clause 5;
- b) employ suitable skilled persons to carry out the works;
- c) regularly supervise and monitor the progress of work;
- d) abide by the technical suggestions/ direction of supervisory personnel including engineers etc. regarding building construction;
- e) be responsible for bringing any discrepancy to the notice of the representative of the first party and seek necessary clarification;
- f) ensure that the work is carried out in accordance with specifications, drawings and within the total of the contract amount without any cost escalation;
- g) keep the first party informed about the progress of work;
- h) correct the notified defects within the length of time specified by the Engineer;
- i) be responsible for all security and watch and ward arrangements at site till handing over of the building to the first party;
- j) maintain necessary insurance against loss of materials/cash, etc. or workman disability compensation claims of the personnel deployed on the works as well as third party claims from the start date to the end of defect liability period;
- k) pay all duties, taxes and other levies payable by construction agencies as per law under the contract (First party will effect deduction from running bills in respect of such taxes as may be imposed under the law);
- l) abide by the regulatory authority conditions (if any) attached to any permits or approvals for the project; and the ESHS Management Strategies and Implementation Plan and ESHS Code of Conduct, if any prescribed by the Employer;
- m) abide by all labour enactments and rules made there under, regulations, notifications and by laws of the State or Central Government or local authorities;

- n) abide by all enactments on environmental protection and rules made there under, regulations, notifications and by-laws of the State or Central Government, or local authorities;
- o) be responsible for the safety of all activities on the Site.

10. Variations / Extra Items

The works shall be executed by the second party in accordance with the approved drawings and specifications. No variation in cost is acceptable. However, if the Engineer issues instructions for execution of extra items, the following procedure shall be followed:-

- a) The second party shall provide the Engineer with a bid for carrying out the extra items when requested to do so by the Engineer. The Engineer shall assess the bid, which shall be given within seven days of the request before the extra items are ordered.
- b) If the bid given by the second party is unreasonable, the Engineer may order the extra items and make a change to the Contract Price which shall be based on Engineer's own forecast of the effects of the extra items on the Contractor's costs.
- c) The second party shall not be entitled to additional payment for costs, which could have been avoided by giving early warning.

11. Securities

The Performance Security shall be provided to the Employer no later than the date specified in the Letter of Acceptance and shall be issued in an amount and form and by a bank or surety acceptable to the Employer. The Performance Security shall be valid until a date 28 days from the date of issue of the Certificate of Completion in the case of a Bank Guarantee.

12. Termination

12.1 The Employer may terminate the Contract if the other party causes a fundamental breach of the Contract.

12.2 Fundamental breaches of Contract include, but shall not be limited to the following:

- (a) the contractor stops work for 28 days and the stoppage has not been authorized by the Engineer;
- (b) the Contractor has become bankrupt or goes into liquidation other than for a reconstruction or amalgamation;
- (c) the Engineer gives Notice that failure to correct a particular Defect is a fundamental breach of Contract and the Contractor fails to correct it within a reasonable period of time determined by the Engineer;
- (d) the Contractor does not maintain a security which is required;

- (e) the Contractor has engaged in corrupt, fraudulent, collusive, coercive or obstructive practices, in competing for or in executing the Contract; and
- (f) the contractor has delayed the completion of the Works by the number of days for which the maximum amount of liquidated damages can be paid

12.3 Notwithstanding the above, the Employer may terminate the Contract for convenience.

12.4 If the Contract is terminated, the Contractor shall stop work immediately, make the Site safe and secure and leave the Site as soon as reasonably possible.

13. Payment upon Termination

13.1 If the Contract is terminated because of a fundamental breach of Contract by the Contractor, the Engineer shall issue a certificate for the value of the work done less advance payments received up to the date of the issue of the certificate, less other recoveries due in terms of the contract, less taxes due to be deducted at source as per applicable law.

13.2 If the Contract is terminated at the Employer's convenience, the Engineer shall issue a certificate for the value of the work done, the reasonable cost of removal of Equipment, repatriation of the Contractor's personnel employed solely on the Works, and the Contractor's costs of protecting and securing the Works and less advance payments received up to the date of the certificate, less other recoveries due in terms of the contract and less taxes due to be deducted at source as per applicable law.

14. Dispute settlement

If over the works, any dispute arises between the two parties, relating to any aspects of this Agreement, the parties shall first attempt to settle the dispute through mutual and amicable consultation.

In the event of agreement not being reached, the matter will be referred for arbitration by a Sole Arbitrator not below the level of retired Chief Engineer / Superintending Engineer, (not connected in part or whole with this Project in his service) to be appointed by the first party. The Arbitration will be conducted in accordance with the Arbitration and Conciliation Act, 1996. The decision of the Arbitrator shall be final and binding on both the parties.

15. Corrupt and Fraudulent Practices

The World Bank requires compliance with its policy in regard to corrupt and fraudulent practices as set forth in Section C. In further pursuance of this policy, Bidders shall permit and shall cause its agents (whether declared or not), sub-contractors, sub-consultants, service providers, or suppliers and any personnel thereof, to permit the Bank to inspect all accounts, records and other documents relating to any prequalification process, bid submission, and contract performance (in the case of award), and to have them audited by auditors appointed by the Bank.

BILL OF QUANTITIES

The approximate Bill of Quantities is indicated below to give an idea of the work which should be executed in accordance with the approved drawings and specifications to enable the bidder to furnish the lump sum price. Bidders may, however, note that no variations in the lump sum cost is acceptable (except where extra items are ordered by the Engineer).

CIVIL ESTIMATE OF CFC AND ADMIN						
ESTIMATE HAS BEEN PREPARED BASED OF CPWD SOR 2021 AND MARKET RATE ANALYSIS and MARKET RATE						
	Item Description	Unit	Qty	Rate in INR		Amount
				In figure	In words	
(A)	SCHEDULE -1 EARTHWORK IN EXCAVATION					
2.8.1 (SOR)	Earth work in surface excavation not exceeding 30 cm in depth but exceeding 1.5 m in width as well as 10 sqm on plan including getting out and disposal of excavated earth upto 50 m and lift upto 1.5 m, as directed by Engineer-in- Charge					
	All Kinda of Soil	Cum	365			
2.25(a)- SOR	Excavating, supplying and filling of local earth (including royalty) by mechanical transport upto a lead of 5km also including ramming and width or 10 sqm on plan), including dressing of sides and ramming of bottoms, lift upto 1.5 m, including getting out the excavated soil and disposal of surplus excavated soil as directed, within a lead of 50 m.					
	All Kinds of Soil	Cum	1630. 44			
	PRE CONSTRUCTION ANTI - TERMITE TREATMENT					
Code 2.35.1.1	Diluting and injecting chemical emulsion for PRE-CONSTRUCTIONAL anti termite treatment (excluding the cost of chemical emulsion) : Along external wall where the apron is not provided using chemical emulsion @ 7.5 litres / sqm of the vertical surface of the substructure to a depth of 300mm including excavation channel along the wall & odding etc. complete:					
	With Chlorpyriphos/ Lindane E.C. 20% with 1% concentration					

(B)	SCHEDULE - 2 PLAIN CEMENT CONCRETE WORKS						
Code: 4.1.8	Providing and laying in position cement concrete of specified grade excluding the cost of cantering and shuttering - All work up to plinth level :						
	In prop 1cement: 4 sand :8 coarse aggregate by volume		cum	65			
(C)	SCHEDULE - 3 REINFORCED CEMENT CONCRETE WORKS						
Code: 5.1.2	1:1.5:3 (1 cement: 1.5 coarse sand (zone-III) derived from natural sources : 3 graded stone aggregate 20 mm nominal size de rived from natural sources)		cum	97			
5.1.2	ii) Columns, pillars, posts, struts, suspended floor, roof, landing, shelf and support, balcony, lintel, sill band, beam, girder, bressumer, cantilever, staircase (except spiral staircase and landing) including preparing the top surface and finishing of nosing.		cum	20			
	REINFORCEMENT (TMT) BAR						
5.22.1	Steel reinforcement for R.C.C. work including straightening, cutting, bending, placing in position and binding all complete						
	(i) TMT Corrosion resistant steel (CRS) reinforcement bar		Kg	11920			
(D)	SCHEDULE - 4 PLYBOARD SHUTTERING (FORMWORK)						
Code:4.3 .1	Centering and shuttering including, strutting, propping, and removal of work for:						
V1	Columns, Pillars, Posts & Strut of square/ rectangular/ polygonal in plan or any shape like Tee/L etc. having plane vertical face						
	Column, Foundation, Footings, bases for column		Sqm	719			
(E)	SCHEDULE - 5 BRICKWORK						
Code: 6.2.1	Brick work with common burnt clay modular bricks of class designation 7.5 in foundation and plinth in:						
	In proportion 1:4.(1 cement:4 sand)		Cum	65			
6.12.2	Brick works (Half Brick 112 mm) in 1:4 cement mortar (1: Cement 4: sand)		Sqm	27			
(F)	SCHEDULE-6 CEMENT CONCRETE FLOORING						

11.3.1	Cement concrete flooring 1:2:4 (1 cement : 2 coarse sand : 4 graded stone aggregate) finished with a floating coat of neat cement, including cement slurry, but excluding the cost of nosing of steps etc. complete. 40 mm thick with 20 mm nominal size stone aggregate	Sqm	64			
11.7	Cement concrete pavement with 1:2:4 (1 cement : 2 coarse sand : 4 graded stone aggregate 20 mm nominal size), including finishing complete.	cum	64			
(G)	SCHEDULE-7 PLASTERING					
13.1.1	12 mm thick Cement plaster in single coat on fair side of brick/concrete walls for interior plastering up to 1st floor level including arises or rounded.					
	a) In cement mortar 1:4	Sqm	442			
13.5.1	15 mm cement plaster on the rough side of single or half brick wall of mix :					
	a) In cement mortar 1:4	Sqm	279			
(H)	PAINTING:					
13.80	Providing and applying white cement based putty of average thickness 1 mm, of approved brand and manufacturer, over the plastered wall surface to prepare the surface even and smooth complete.	Sqm	721			
13.83.2	Wall painting with premium acrylic emulsion paint of interior grade, having VOC (Volatile Organic Compound) content less than 50 grams/ litre of approved brand and manufacture, including applying additional coats wherever required to achieve even shade and colour. (two coats)	Sqm	721			
13.50.3	With ready mixed red oxide zinc chromate primer of approved brand and manufacture on steel galvanised iron/ steel works					
	a). With ready mixed "red-lead/ red oxide" primer.	Sqm	27			
13.92.1	Painting on G.S. sheet/Steel surface with synthetic enamel paint of approved brand and manufacture of required colour to give an even shade	Sqm	100			

(I)	SCHEDULE-8 STEEL WORKS					
10.1	Structural steel work in single section, fixed with or without connecting plate, including cutting, hoisting, fixing in position and applying a priming coat of approved steel primer all complete.	Qtl	93.05			
10.2	Structural steel work riveted, bolted or welded in built up sections, trusses and framed work, including cutting, hoisting, fixing in position and applying a priming coat of approved steel primer all complete.	Qtl	114.9 2			
	Providing corrugated galvenised Iron sheet roofing of TATA SHAKTEE / SAIL including fitting and fixing necessary galvenised J or L hooks, bolts and nuts 8 mm dia with bitumen washer 25 mm dia x 3 mm thick and 1.6 mm thick limpet washer complete excluding cost of roof truss, purlin etc. (Roof trusses and purlin etc.to be measured and paid separately).					
	(e) 0.63 mm thick	Sqm	810			
	Providing galvd iron ridging of TATA SHAKTEE / SAIL including supplying and fixing necessary galvd screws/washers etc. complete as directed.					
	(a) 0.45 mm thick					
	(i) 150 mm lapping	RM	110			
	Providing plain Polycarbonate transparent sheet roofing at all levels with self drilling, self tapping screws complete (Roof trusses, purlins etc. to be measured and paid separately.)					
	(i) 1.00 mm thick	Sqm	60			
	FLOORING					
	TILES WORKS					
	CERAMIC TILES					
	ON WALLS					
8.31	Providing and fixing Ist quality ceramic glazed wall tiles conforming to IS: 15622 (thickness to be specified by the manufacturer), of approved make, in all colours, shades except burgundy, bottle green, black of any size as approved by Engineer-in-Charge, in skirting, risers of steps and dados, over 12 mm thick bed of cement mortar 1:3 (1 cement : 3 coarse sand) and jointing with grey cement slurry @ 3.3kg per sqm, including pointing in white cement mixed with pigment of matching shade complete	Sq.m	32			

	CERAMIC					
11.44	Crazy ceramic tile flooring, with under layer 12 mm thick cement mortar 1:4 (1 cement: 4 coarse sand), with joints not exceeding 5 mm, including filling the gaps with ordinary cement mixture & mixing with synthetic polyester fibre, triangular in shape having specific gravity of 1.34 to 1.40, cross section size ranging from 10 to 40 micron & length upto 6 mm , mixing fibre @ 125 grams per 50 kg of cement in cement mortar, including providing and mixing water proofing material in mortar @ 1 kg per 50 kg of cement, all complete as per direction of Engineer-in-charge.	Sq.m	4			
A)	ON FLOOR					
11.41A.	Providing and laying Vitriified tiles in floor in different sizes (thickness to be specified by the manufacturer) with water absorption less than 0.08% and conforming to IS:15622, of approved brand & manufacturer, in all colours and shade, laid on 20 mm thick cement mortar 1:4 (1 cement: 4 coarse sand) jointing with grey cement slurry @3.3 kg/sqm including grouting the joints with white cement and matching pigments etc. The tiles must be cut with the zero chipping diamond cutter only . Laying of tiles will be done with the notch trowel, plier, wedge, clips of required thickness, leveling system and rubber mallet for placing the tiles gently and easily.					
11.41A1.1	i) Of size 600mmx600mm and above	Sq.m	33			
11.26	KOTA STONE SLAB / SAND STONE FLOORING					
11.26.1	Kota-stone slab flooring of over 20mm thick base of cement plaster 1:4 (1 cement : 4 coarse sand) laid over and jointed with grey cement slurry mixed with pigment to match the shade of the slab including rubbing and polishing complete.					
	(1) 550mm x 550mm	Sq.m	10			
(J)	SCHEDULE-9 FALSE CEILING					
	GYPSUM CEILING					

26.22	Providing and fixing false ceiling at all heights with integral densified calcium silicate reinforced with fibre and natural filler false ceiling tiles of Size 595x595mm of approved texture, design and patterns as per CPWD Specification 2019, to be laid in true horizontal level suspended on inter-locking metal T-Grid of hot dipped galvanised iron section of 0.33mmthick (galvanized @ 120 grams per sqm including both sides)comprising of main-T runners of size 24x38 mm of length 3000 mm,cross - T of size 24x32 mm of length 1200 mm and secondaryintermediate cross-T of size 24x32 mm of length 600mm to formgrid module of size 600 x 600 mm, suspended from ceiling usinggalvanised mild steel items (galvanizing @ 80 grams per sqm) i.e. 12x50 mm long dash fasteners, 6 mm dia fully threaded hanger rod upto 1000 mm length and L-shape level adjuster of size 76x25x25x1.6 mm fixed with grid and Z cleat of size 25x37x25x1.6mm thick with precut hole on both 25mm flange to pierce into 12x50mm or even bigger size dash fastener if require, fixed with Glavanised iron perimeter wall angle or size 24x24x0.40 mm of length 3000 mm to be fixed on periphery wall / partition with the help of plastic rawl plugs at 450mm center to center and 40 mm long dry wall S.S screws. The workshall be carried out as per specifications, drawing and as per directions of the Engineer-inCharge.					
26.22.1	15 mm thick	Sq.m	15			
(K)	DOORS & WINDOW					
	Providing, fitting and fixing full panelled doors/ windows including oxidised M.S butt hinges (100mm x75 mm x3.55mm) with necessary screws (other fittings to be measured and paid separately)					
	A) With Teak wood / Sissu wood.					
	(ii) 35 mm thick.	Sq.m.	11			
	Providing wood work in frame (chowkaths) of doors, windows, clerestory windows and other similar works wrought, framed and fixed in position in contact with C.C or brick masonry wall including supplying, fitting and fixing with M.S. hold fast (40mmx3mmx250mm) as per design embedded in cement concrete block in proportion 1:2:4 and with two coats of kiricide oiling to the timber faces in contact with C.C and masonry as directed and specified.					
	(a) With Non sal	Cum	0.34			

	Providing, fitting and fixing anodised aluminium windows and ventilators of standard sections of approved brand without horizontal glazing bars joints mitred and welded (manufactured to relevant IS specifications) fitted with 6mm x 3.15mm lugs 100mm long embedded in CC blocks 150mm x 100mm x 100mm in 1:3:6 mix including providing and fixing handles, frictions stays, joining cleat, bolting device, locking arrangement, spring catch as required complete as specified and directed for all levels. (Cement concrete to be measured and paid separately).					
	a)Side hung and Top hung windows and ventilators					
	(b)Fixed windows and ventilators					
	i) 6mm clear glass	Sqm	1			
	Providing, fitting and fixing anodised aluminium sliding windows and ventilators of standard sections of approved brand without horizontal glazing bars, joints mitred and welded (manufactured to relevant IS specifications) and providing and fixing handles, angle cleat, rubber gasket, roller, bolting device, locking arrangements, screws etc as required complete as specified and directed for all levels.					
	(a)2 Track sliding window					
	(i)6mm clear glass	Sqm	44			
	Providing and fixing rolling shutters of approved make made of 80mm wide M.S. laths interlocked together through their entire lenth and jointed together at the ends by end-locks mounted on specially designed pipe shaft with bracket plates, guide channels and arrangements for inside and outside locking with push-pull operation complete including cost of wire, spring and hood cover for the shutters.	Sq.m.	44			
	ALUMINIUM FITTINGS					
	Supplying, fitting, fixing anodised aluminium fittings of approved make, resonably smooth, free from sharp edges and corners, flaws and other defects and with counter sunk holes for screws including necessary aluminium screws etc. complete.(anodised to bright natural matt & satin finished)					
	a) Sliding door bolts					
	ii) 250mm x 16mm	Each	10			

	b) Tower bolts					
	ii) 250mm x 12mm	Each	5			
	c) Door handles					
	iii) 150mm	Each	5			
	d) Butt hinge					
	iv) 100mm x 63mm x 3.2mm	Pair	10			
CIVIL ESTIMATE - STORM WATER DRAIN						
ESTIMATE HAS BEEN PREPARED BASED ON CPWD SOR 2021 AND MARKET RATE ANALYSIS						
	Item Description	Unit	Qty	Rate in INR		Amount
				in figure	in words	
(A)	SCHEDULE -1 EARTHWORK IN EXCAVATION					
2.8.1 (SOR)	Earth work in surface excavation not exceeding 30 cm in depth but exceeding 1.5 m in width as well as 10 sqm on plan including getting out and disposal of excavated earth upto 50 m and lift upto 1.5 m, as directed by Engineer-in- Charge					
	All Kind of Soil	Cum	40.00			
(B)	SCHEDULE - 2 PLAIN CEMENT CONCRETE WORKS					
Code: 4.1.8	Providing and laying in position cement concrete of specified grade excluding the cost of cantering and shuttering - All work up to plinth level :					
	In prop 1cement: 4 sand :8 coarse aggregate by volume	cum	7.00			
(D)	SCHEDULE - 4 PLYBOARD SHUTTERING (FORMWORK)					

Code:4.3 .1	Centering and shuttering including, strutting, propping, and removal of work for:	Sqm	65.00			
	Column, Foundation, Footings, bases for column					
(E)	SCHEDULE - 5 BRICKWORK					
Code: 6.2.1	Brick work with common burnt clay modular bricks of class designation 7.5 in foundation and plinth in:					
	In proportion 1:4.(1 cement:4 sand)	Cum	10.00			
(F)	SCHEDULE-7 PLASTERING					
13.5.1	15 mm cement plaster on the rough side of single or half brick wall of mix :					
	a) In cement mortar 1:4	Sqm	-			
CIVIL ESTIMATE - BOUNDARY WALL						
	Item Description	Unit	Qty	Rate in INR		Amount
				in figure	in words	
(A)	Description of Itmes					
	Supplying , fitting and fixing barbed wire fencing with seven strands of barbed wire 12 S.W.G.x 2pliesx 4 points at 75mm apart including supplying fitting and fixing sawn sal wood posts of 100mmx100mm size struts 1800mm long at 1500mm apart driven at least 600mm under ground with providing 100mmx75mm size struts 1800mm long in corner, straining and end post as necessary including coaltaring two coats in posts and struts and supplying necessary nails, staples etc.complete as directed and specified (the distribution of the barbed wire should be placed at equal intervals for the intermediate except bottom and top which is to be placed at 100mm and 230mm clearance respectively).	RM	200			
	ESTIMATE OF INTERNAL ROAD OF MUSTARD OIL PROCESSING UNIT (CFC) BISWANATH					
	Description of Items	Unit	Qty	Rate in INR		Amount
				in figure	in words	
SOR Code	Excavation					

3.4 (II)	Excavation for roadway in soil using manual means for carrying of cut earth to embankment site with a lift upto 1.5 m and lead upto 50 m as per Technical Specification Clause 302.3 (Manual method should be adopted where machines can not be deployed due to site condition) Length (M) -100, Width (M) - 3.75, Thickness (M) - 0.25	cum	93.75			
	In ordinary Soil					
4/4.1	GSB (GRANULAR SUB-BASES, BASES (NON-BITUMINOUS) AND SHOULDERS). Granular Sub-base with Well Graded Material (Table 400.1)					
	Construction of granular sub-base by providing well graded material, spreading in uniform layers with motor grader on prepared surface, mixing by mix in place method with rotavator at OMC, and compacting with smooth wheel roller to achieve the desired density, complete as per Technical Specification Clause 401.					
	For Grading II Material (Length (M) -100, Width (M) - 3.75, Thickness (M) - 0.15)	cum	56.25			
	WBM (Water Bound Macadam Sub-base/base)					
5/4.7 (2) (A)	Providing, laying, spreading and compacting stone aggregates of specific sizes to water bound macadam specification including spreading in uniform thickness, hand packing packing, rolling rolling with smooth wheel roller 80-100 kN in stages to proper grade and camber, applying and brooming, stone screening/binding materials to fill-up the interstices of coarse aggregate, watering and compacting to the required density grading 2 as per Technical Specification Clause 405. (Length (M) -100, Width (M) - 3.75, Thickness (M) - 0.10).	cum	37.5			
	By Mechanical Means					
7/6.7	Interlocking concrete Block pavement with edge block (i) Providing and lying interlocking concrete pavement block (M40) having thickness 80 mm as per technical specification clause 1504 (including edge) Block/Edge restraints) Length (M) -100, Width (M) - 3.75					
			375			
WEIGH BRIDGE						
Wiring in surface/ recessed PVC conduit FR (Finolex /RR Kabel /Nicco / Anchor or Equivalent Make as approved by the Deptt.) cable						
SL.NO.	ITEM DESCRIPTION	UNI T	QTY.	Rate in INR	Amount	

					in figure	in words	
2.1	Wiring for light/fan/call bell point with 2x1.5 sq. mm. P.V.C. insulated single core unsheathed industrial (Multistrand) cable FR conforming to IS-694: 1990 with flexible bright annealed electrolytic copper conductor for voltage grade up to 1100 volts (Finolex /RR Kabel /Nicco / Anchor or Equivalent Make as approved by the Deptt.) in surface/ recessed conduit wiring system with 20mm dia 2mm thick / heavy rigid PVC IS: 9537 Part - III conduit (Berlia/ AKG / Precision/ Presto Plast/Polycab/ MW or equivalent make as approved by the Deptt.) including 6 Amp flush type switch/ bell push (Anchor penta /Gold medal /Kolor kany.Kom/Havells or equivalent make as approved by the Deptt.) GI/ MS switch board (ISI marked) with phenolic laminated sheet cover ,ceiling rose (Anchor penta /Gold medal /Kolor kany.Kom/Havells or equivalent make as approved by the Deptt.) etc. complete						
	2 Short point up to 3.00 metre. length.	Each	15				
	.1						
	.1						
	2 Medium point up to 6.00 metre. Length.	Each	15				
	.1						
	.2						
	2 Long point up to 10.00 metre. Length.	Each	15				
	.1						
	.1						
	.3						
2.2	Wiring to 5 a pin 6 Amps plug point with 1.5 sq. mm P.V.C. insulated single core unsheathed industrial (Multistrand) cable FR conforming to IS-694: 1990 with flexible bright annealed electrolytic copper conductor for voltage grade up to 1100 volts (Finolex /RR Kabel /Nicco / Anchor or Equivalent Make as approved by the Deptt.) in surface/ recessed 2 mm thick/ heavy rigid ISI marked IS: 9537 PART - III rigid PVC conduit (Berlia/ AKG / Precision/ Presto Plast/Polycab/ MW or equivalent make as approved by the Deptt.) wiring system including 5 pin 6 Amps flush type plug socket and 6 Amps F/T switch (Anchor penta /Gold medal /Kolor kany.Kom/Havells or equivalent make as approved by the Deptt.), GI/ MS switch board (I.S.I. mark with phenolic laminated sheet cover including earth continuity with 1.5 sq. mm. cable to third pin of the plug socket etc. as required complete, when placed elsewhere.						

	2 . 2 . 1	Short point up to 3.00 metre. length.	Each	6			
	2 . 2 . 2	Medium point up to 6.00 metre. Length.	Each	6			
	2 . 2 . 3	Long point up to 10.00 metre. Length.	Each	6			
2.3		Wiring for 5/6 pin 16 Amps power plug point with 4 sq. mm. P.V.C. insulated single core unsheathed industrial (Multistrand) cable FR conforming to IS-694: 1990 with flexible bright annealed electrolytic copper conductor for voltage grade up to 1100 volts (Finolex /RR Kabel /Nicco / Anchor or Equivalent Make as approved by the Deptt.) in surface/ recessed conduit wiring system including and fixing 5/6 pin 16 Amps flush type socket outlets and 16 Amps flush type switch (Anchor penta /Gold medal /Kolor kany.Kom/Havells or equivalent make as approved by the Deptt.), GI/ MS switch board (I.S.I. mark with phenolic laminated sheet cover earth continuity with 2.5 sq. mm cable to the 3rd pin of the socket as required complete with 20 mm. dia. 2mm thick/ heavy ISI marked IS: 9537 PART - III rigid PVC conduit (Berlia/ AKG / Precision/ Presto Plast/Polycab/ MW or equivalent make as approved by the Deptt.)					
	2 . 3 . 1	Short point up to 3.00 metre. length.	Each	1			
	2 . 3 . 2	Medium point up to 6.00 metre. Length.	Each	3			
	2 . 3	Long point up to 10.00 metre. Length.	Each	4			

	. 3					
2.4		Wiring for 5/6 pin 16 Amps power plug point with 4 sq. mm. P.V.C. insulated single core unsheathed industrial (Multistrand) cable FR conforming to IS-694: 1990 with flexible bright annealed electrolytic copper conductor for voltage grade up to 1100 volts (Finolex /RR Kabel /Nicco / Anchor or Equivalent Make as approved by the Deptt.) in surface/ recessed conduit wiring system including and fixing 5/6 pin 16 Amps flush type socket outlets and 16 Amps flush type switch (Anchor penta /Gold medal /Kolor kany.Kom/Havells or equivalent make as approved by the Deptt./ Havells make), GI/ MS switch board (I.S.I. mark with phenolic laminated sheet cover earth continuity with 2.5 sq. mm cable to the 3rd pin of the socket as required complete with 20 mm. dia. 2mm thick/ heavy rigid ISI marked IS: 9537 PART - III rigid PVC conduit (Berlia/ AKG / Precision/ Presto Plast/Polycab/ MW or equivalent make as approved by the Deptt.)				
	2 .4 .1	Extra long point up to 15.00 metre. length.	Each	5		
	2 .4 .2	Extra long point up to 20.00 metre. Length.	Each	1		
	2 .4 .3	Extra long point up to 25.00 metre. Length.	Each	1		
	2 5	Wiring for light/fan/call bell point with 3x1.5 sq. mm. P.V.C. insulated single core unsheathed industrial (Multistrand) cable FR conforming to IS-694: 1990 with flexible bright annealed electrolytic copper conductor for voltage grade up to 1100 volts (Finolex /RR Kabel /Nicco / Anchor or Equivalent Make as approved by the Deptt.) in surface/ recessed conduit wiring system with 20mm dia 2mm thick / heavy rigid PVC IS: 9537 Part - III conduit (Berlia/ AKG / Precision/ Presto Plast/Polycab/ MW or equivalent make as approved by the Deptt.) including 6 Amp flush type switch/ bell push (Anchor penta /Gold medal /Kolor kany.Kom/Havells or equivalent make as approved by the Deptt.) GI/ MS switch board (ISI marked) with phenolic laminated sheet cover ,ceiling rose etc. complete				
	2 .	Medium point up to 6.00 metre. Length.	Each	5		

	5 . 2						
	2 . 5 . 3	Long point up to 10.00 metre. Length.	Each	10			
2.6		Wiring for circuit wiring with P.V.C. insulated single core unsheathed industrial (Multistrand) cable FR conforming to IS-694: 1990 with flexible bright annealed electrolytic copper conductor for voltage grade up to 1100 volts (Finolex /RR Kabel /Nicco / Anchor or Equivalent Make as approved by the Deptt.) in surface/ recessed PVC conduit (Berlia/ AKG / Precision/ Presto Plast/Polycab/ MW or equivalent make as approved by the Deptt.) wiring system.					
	2 . 6 . 1	With 2 x 1.5 sq. mm. cable in 20 mm dia. 2mm thick/ heavy rigid PVC IS: 9537 Part - III conduit.	Metre	20			
	2 . 6 . 2	With 3 x 1.5 sq. mm. cable in 20 mm dia. 2mm thick/ heavy rigid PVC IS: 9537 Part - III conduit.	Metre	20			
2.7		Wiring for drawing sub-main line with P.V.C. insulated single core unsheathed industrial (Multistrand) cable FR conforming to IS-694: 1990 with flexible bright annealed electrolytic copper conductor for voltage grade up to 1100 volts (Finolex /RR Kabel /Nicco / Anchor or Equivalent Make as approved by the Deptt.) PVC conduit (Berlia/ AKG / Precision/ Presto Plast/Polycab/ MW or equivalent make as approved by the Deptt.) including earth continuity in surface/ recessed 20 mm. dia. 2mm thick/ heavy ISI marked IS: 9537 PART - III rigid PVC conduit wiring system.					
	2 . 7 . 1	With 2 x 2.5 sq. mm. + earth continuity with 1x1.5 sq. mm. in 20 mm. dia. 2mm thick/ heavy rigid PVC IS: 9537 Part - III conduit.	Metre	20			

	2 . 7 . 2	With 2 x 4 sq. mm. + earth continuity with 1x2.5 sq. mm. cable in 20 mm. dia. 2mm thick/ heavy rigid PVC IS: 9537 Part - III conduit.	Metre .	20			
	2 . 7 . 3	With 2 x 6 sq. mm. + earth continuity with 1x 4 sq. mm. cable in 25 mm. dia. 2mm thick/ heavy rigid PVC IS: 9537 Part - III conduit.	Metre .	20			
	2 . 7 . 4	With 2 x 10 sq. mm. + earth continuity with 1x 6 sq. mm. cable in 25 mm. dia. 2mm thick/ heavy rigid PVC IS: 9537 Part - III conduit.	Metre .	20			
2.8		Wiring for drawing sub-main line with P.V.C. insulated single core unsheathed industrial (Multistrand) cable FR conforming to IS-694: 1990 with flexible bright annealed electrolytic copper conductor for voltage grade up to 1100 volts (Finolex /RR Kabel /Nicco / Anchor or Equivalent Make as approved by the Deptt.) including earth continuity in surface/ recessed PVC 20 mm. dia. 2mm thick/ heavy ISI marked IS: 9537 PART - III rigid PVC conduit (Berlia/ AKG / Precision/ Presto Plast/Polycab/ MW or equivalent make as approved by the Deptt.) wiring system .					
	2 . 8 . 1	With 3 x 2.5 sq. mm. + earth continuity with 2x1.5 sq. mm. cable in 25 mm. dia. 2mm thick/ heavy rigid PVC IS: 9537 Part - III conduit.	Metre .	20			
	2 . 8 . 2	With 3 x 4 sq. mm. + earth continuity with 2x 2.5 sq. mm. cable in 25 mm. dia. 2mm thick/ heavy rigid PVC IS: 9537 Part - III conduit.	Metre .	20			
	2 . 8 . 3	With 3 x 6 sq. mm. + earth continuity with 2x 4 sq. mm. cable in 25 mm. dia. 2mm thick/ heavy rigid PVC IS: 9537 Part - III conduit.	Metre .	20			

	2 .8 .4	With 3 x 10 sq. mm. + earth continuity with 2x 6 sq. mm. cable in 25 mm. dia. 2mm thick/ heavy rigid PVC IS: 9537 Part - III conduit.	Metre .	20			
2.9		Wiring for drawing sub-main line with P.V.C. insulated single core unsheathed industrial (Multistrand) cable FR conforming to IS-694: 1990 with flexible bright annealed electrolytic copper conductor for voltage grade up to 1100 volts (Finolox /RR Kabel /Nicco / Anchor or Equivalent Make as approved by the Deptt.) in surface/ recessed PVC 20 mm. dia. 2mm thick/ heavy ISI marked IS: 9537 PART - III rigid PVC conduit (Berlia/ AKG / Precision/ Presto Plast/Polycab/ MW or equivalent make as approved by the Deptt.) wiring system.					
	2 .9 .1	With 4 x 2.5 sq. mm. + earth continuity with 2 x 1.5 sq. mm. cable in 25 mm. dia. 2mm thick/ heavy rigid PVC IS: 9537 Part - III conduit.	Metre .	10			
	2 .9 .2	With 4 x 4 sq. mm. + earth continuity with 2x2.5 sq. mm. cable in 25 mm. dia. 2mm thick/ heavy rigid PVC IS: 9537 Part - III conduit.	Metre .	20			
	2 .9 .3	With 4x 6 sq. mm. + earth continuity with 2x4 sq. mm. cable in 32 mm. dia. 2mm thick/ heavy rigid PVC IS: 9537 Part - III conduit.	Metre .	10			
	2 .9 .4	With 4 x 10 sq. mm. + earth continuity with 2x6 sq. mm. cable in 40 mm. dia. 2mm thick/ heavy rigid PVC IS: 9537 Part - III conduit.	Metre .	10			

	2 . 9 . 5	With 4 x 16 sq. mm. + earth continuity with 2x10 sq. mm. cable in 40 mm. dia. 2mm thick/ heavy rigid PVC IS: 9537 Part - III conduit.	Metre	10			
2.1		Wiring for 5 pin 6 amp plug with 1.5 sq mm P.V.C. insulated single core unsheathed industrial (Multistrand) cable FR conforming to IS-694: 1990 with flexible bright annealed electrolytic copper conductor for voltage grade up to 1100 volts (Finolex /RR Kabel /Nicco / Anchor or Equivalent Make as approved by the Deptt.) including 5 pin 6 amp socket outlet (Anchor penta /Gold medal /Kolor kany.Kom/Havells or equivalent make as approved by the Deptt.)make) and 6 amp flush type switch (Anchor penta /Gold medal /Kolor kany.Kom/Havells or equivalent make as approved by the Deptt.)make) earthing the 3rd pin of the socket as required on the switch board in surface/ recessed P.V.C. conduit wiring system. When fitted on same board of light and fan.	Each	10			
2.11		Wiring for light/fan/call bell point with 2x1.5 sq. mm. P.V.C. insulated single core unsheathed industrial (Multistrand) cable FR conforming to IS-694: 1990 with flexible bright annealed electrolytic copper conductor for voltage grade up to 1100 volts (Finolex /RR Kabel /Nicco / Anchor or Equivalent Make as approved by the Deptt.) in surface/ recessed conduit wiring system with 20mm dia 2mm thick / heavy rigid PVC IS: 9537 Part - III conduit (Berlia/ AKG / Precision/ Presto Plast/Polycab/ MW or equivalent make as approved by the Deptt.) complete					
	2 . 1 1 . 1	Short point up to 3.00 metre. length.	Each	3			
	2 . 1 1 . 2	Medium point up to 6.00 metre. Length.	Each	7			
	2 . 1 1 . 3	Long point up to 10.00 metre. Length.	Each	6			

2.12		Wiring to 5 a pin 6 Amps plug point with 1.5 sq. mm P.V.C. insulated single core unsheathed industrial (Multistrand) cable FR conforming to IS-694: 1990 with flexible bright annealed electrolytic copper conductor for voltage grade up to 1100 volts (Finolex /RR Kabel /Nicco / Anchor or Equivalent Make as approved by the Deptt.) in surface/ recessed 2 mm thick/ heavy rigid ISI marked IS: 9537 PART - III rigid PVC conduit (Berlia/ AKG / Precision/ Presto Plast/Polycab/ MW or equivalent make as approved by the Deptt.) wiring system including earth continuity with 1.5 sq. mm. cable to third pin of the plug socket etc. as required complete.					
	2 .1 2 .1	Short point up to 3.00 metre. length.	Each	2			
	2 .1 2 .2	Medium point up to 6.00 metre. Length.	Each	2			
	2 .1 2 .3	Long point up to 10.00 metre. Length.	Each	2			
2.13		Wiring for 5/6 pin 16 Amps power plug point with 4 sq. mm. P.V.C. insulated single core unsheathed industrial (Multistrand) cable FR conforming to IS-694: 1990 with flexible bright annealed electrolytic copper conductor for voltage grade up to 1100 volts (Finolex /RR Kabel /Nicco / Anchor or Equivalent Make as approved by the Deptt.) in surface/ recessed conduit wiring system including earth continuity with 2.5 sq. mm cable to the 3rd pin of the socket as required complete with 20 mm. dia. 2mm thick/ heavy ISI marked IS: 9537 PART - III rigid PVC conduit (Berlia/ AKG / Precision/ Presto Plast/Polycab/ MW or equivalent make as approved by the Deptt.)					
	2 .1 3	Short point up to 3.00 metre. length.	Each	2			

	. 1						
	2 .1 3 .2	Medium point up to 6.00 metre. Length.	Each	2			
	2 .1 3 .3	Long point up to 10.00 metre. Length.	Each	2			
				Total of Part- 2			
		PART- 6					
		SUPPLY AND FIXING OF RIGID PVC CONDUIT (AKG / Precision/ Presto Plast/Polycab/ MW or equivalent make as approved by the Deptt.) IN SURFACE AND RECESS WIRING SYSTEM					
SL.NO.		ITEM DESCRIPTION	Unit	Qty	Rate in INR		Amount
					in figure	in words	
6.1		Supply and fixing of 19 mm dia 1.50mm to 2.00mm average wall thickness heavy rigid PVC IS: 9537 Part - III conduit (Berlia/ AKG / Precision/ Presto Plast/Polycab/ MW or equivalent make as approved by the Deptt.) on surface system including painting etc as required:	Metre	50			
6.6		Supply and fixing 19 mm dia 2.00mm average wall thickness heavy rigid PVC IS: 9537 Part - III conduit (Berlia/ AKG / Precision/ Presto Plast/Polycab/ MW or equivalent make as approved by the Deptt.) in recessed system including cutting the wall and making good the same as required:	Metre	10			

6.11		Supply and fixing 2.00mm average wall thickness heavy rigid PVC IS: 9537 Part - III conduit (Berlia/ AKG / Precision/ Presto Plast/Polycab/ MW or equivalent make as approved by the Deptt.) in recessed system for light/ twin control light/ call bell/ fan point including providing and fixing switch box outlet box and paintaing etc as required:					
	6 .1 1 .1	(a) Short point upto 3.00 mtrs. Length	Each	3			
	6 .1 1 .2	(b) Medium point upto 6.00 mtrs. Length	Each	3			
	6 .1 1 .3	(c) Long point upto 10.00 mtrs. Length	Each	2			
6.12		Supply and fixing 2.00mm average wall thickness heavy rigid PVC IS: 9537 Part - III conduit (Berlia/ AKG / Precision/ Presto Plast/Polycab/ MW or equivalent make as approved by the Deptt.) in recessed system for 3 pin 5 amp plug point including including providing and fixing switch box paintaing etc completed as required:					
	6 .1 2 .1	(a) Short point upto 3.00 mtrs. Length	Each	2			
	6 .1 2 .2	(b) Medium point upto 6.00 mtrs. Length	Each	3			

	6	(c) Long point upto 10.00 mtrs. Length	Each	2			
	. 1 2 .3						
				Total of Part-6			
		PART - 9					
		Wiring with P.V.C. insulated unsheathed 1.1 K.V. grade single core copper conductor FR cable in existing surface/ recessed conduit wiring system					
SL.NO.		ITEM DESCRIPTION	Unit	Qty	Rate in INR		Amount
					in figure	in words	
9.1		Wiring for circuit wiring with P.V.C. insulated single core unsheathed industrial (Multistrand) cable FR conforming to IS-694: 1990 with flexible bright annealed electrolytic copper conductor for voltage grade up to 1100 volts (Finolex /RR Kabel /Nicco / Anchor or Equivalent Make as approved by the Deptt.) in existing surface conduit wiring system including connection as required.					
	9 .1 .1	With 2 x 1.5 sq. mm. copper conductor cable	Metre	10			
	9 .1 .2	With 3 x 1.5 sq. mm. copper conductor cable .	Metre	10			
	9 .1 .3	With 2 x 2.5 sq. mm. + earth continuity with 1x1.5 sq. mm. copper conductor cable	Metre	20			

	9 . 1 . 4	With 2 x 4 sq. mm. + earth continuity with 1x2.5 sq. mm. copper conductor cable	Metre	40			
	9 . 1 . 1 0	With 3 x 6 sq. mm. + earth continuity with 2x 4 sq. mm. copper conductor cable	Metre	10			
	9 . 1 . 1 7	With 4 x 16 sq. mm. + earth continuity with 2x4 sq. mm. copper conductor cable	Metre	20			
9.2		Wiring for circuit wiring with P.V.C. insulated single core unsheathed industrial (Multistrand) cable FR conforming to IS-694: 1990 with flexible bright annealed electrolytic copper conductor for voltage grade up to 1100 volts (Finolex /RR Kabel /Nicco / Anchor or Equivalent Make as approved by the Deptt.) in existing recessed conduit wiring system including connection as required.					
	9 . 2 . 1	With 2 x 1.5 sq. mm. cable	Metre	10			
	9 . 2 . 2	With 3 x 1.5 sq. mm. cable	Metre	30			
	9 . 2 . 3	With 2 x 2.5 sq. mm. + earth continuity with 1x1.5 sq. mm. cable	Metre	50			

	9 . 2 . 4	With 2 x 4 sq. mm. + earth continuity with 1x2.5 sq. mm. cable	Metre	60			
	9 . 2 . 5	With 2 x 6 sq. mm. + earth continuity with 1x 4 sq. mm. cable	Metre	20			
	9 . 2 . 6	With 2 x 10 sq. mm. + earth continuity with 1x 4 sq. mm. cable	Metre	20			
	9 . 2 . 7	With 2 x 16 sq. mm. + earth continuity with 1x 6 sq. mm. cable	Metre	20			
	9 . 2 . 1 1	With 3 x 10 sq. mm. + earth continuity with 2x 4 sq. mm. cable	Metre	10			
	9 . 2 . 1 7	With 4 x 16 sq. mm. + earth continuity with 2x4 sq. mm. cable	Metre	20			
9.3		Wiring for Co - axial Jelly Flooded (Unarmoured) (FINOLEX /RR KABEL /NICCO / ANCHOR make) cable in existing surface conduit wiring system including connection etc as required.					
	9 . 3	Co - axial Jelly Flooded (Unarmoured) RG 59	Metre	30			

	. 1						
	9 .3 .2	Co - axial Jelly Flooded (Unarmoured) RG 6 (Copper)	Metre	50			
	9 .3 .3	Co - axial Jelly Flooded (Unarmoured) RG 11 (Copper)	Metre	50			
				Total of Part-9			
		PART -10					
		Metal Boxes for Surface and Recessed					
SL.NO.		ITEM DESCRIPTION	Unit	Qty	Rate in INR		Amount
					in figure	in words	
10.1		Supplying and fixing 18 S.W.G sheet steel metal boxes of the following sizes in surface Wiring system with suitable size of 3 mm thickness phenolic laminated sheet cover on the front face of the boxes including painting etc. as required and specified by the department.					
	1 0 .1 .1	100 mm x 100 mm x 60 mm deep (Nominal size)	Each	30			
	1 0 .1	100 mm x 150 mm x 60 mm deep (Nominal size)	Each				

	. 2					
	1 0 .1 .3	100 mm x 175 mm x 60 mm deep (Nominal size)	Each	10		
	1 0 .1 .4	200 mm x 150 mm x 60 mm deep (Nominal size)	Each	1		
	1 0 .1 .5	200 mm x 200 mm x 60 mm deep (Nominal size)	Each	1		
	1 0 .1 .6	200 mm x 250 mm x 60 mm deep (Nominal size)	Each	1		
	1 0 .1 .7	200 mm x 300 mm x 60 mm deep (Nominal size)	Each	1		
	1 0 .1 .8	250 mm x 300 mm x 60 mm deep (Nominal size)	Each	1		
	1 0	250 mm x 350 mm x 60 mm deep (Nominal size)	Each	1		

	. 1 .9						
	1 0 .1 .1 0	200 mm x 350 mm x 60 mm deep (Nominal size)	Each	1			
				Total of Part-10			
		PART - 11					
		FITING AND ACCESSORIES					
Sl. No.		Description	Unit	Qty	Rate in INR		Amount
					in figure	in words	
11.1		Supplying and fixing of Switch/Socket flush type (Anchor Penta PC CHERRY /Gold medal /Kolor kany.kom/Havells or equivalent make as approved by the Deptt.) on the existing PVC/ MS board including connection as approved by the Deptt.)complete as required.	Each	1			
11.2		Supplying and fixing of Switch/Socket flush type (Anchor Penta PC CHERRY /Gold medal /Kolor kany.kom/Havells or equivalent make as approved by the Deptt.) on the existing PVC/ MS board including connection as approved by the Deptt.)complete as required.	Each	1			
11.3		Supplying and fixing of Switch/Socket flush type (Anchor Penta PC CHERRY /Gold medal /Kolor kany.kom/Havells or equivalent make as approved by the Deptt.) on the existing PVC/ MS board including connection as approved by the Deptt.)complete as required.	Each	1			
11.4		Supplying and fixing of Switch/Socket flush type (Anchor Penta PC CHERRY /Gold medal /Kolor kany.kom/Havells or equivalent make as approved by the Deptt.) on the existing PVC/ MS board including connection as approved by the Deptt.)complete as required.	Each	1			

11.5	Supplying and fixing of Switch/Socket flush type (Anchor Penta PC CHERRY /Gold medal /Kolor kany.kom/Havells or equivalent make as approved by the Deptt.) on the existing PVC/ MS board including connection as approved by the Deptt.)complete as required	Each	1			
11.6	Supplying and fixing of Switch & Socket combined (S combine , (I.S.I. approve (Anchor Penta PC CHERRY /Gold medal /Kolor kany.kom/Havells or equivalent make as approved by the Deptt.) on existing PVC/ MS board including connection as approved by the Deptt.)complete as required	Each				
11.7	Supplying and fixing of 3 plate Ceiling Rose (Anchor Penta PC CHERRY /Gold medal /Kolor kany.kom/Havells or equivalent make as approved by the Deptt.) on the existing block including connection as approved by the Deptt.)complete as required	Each	12			
11.8	Supplying and fixing of Plain Pendent holder (Anchor Penta PC CHERRY /Gold medal /Kolor kany.kom/Havells or equivalent make as approved by the Deptt.) with twin twisted flexible cord including connection as approved by the Deptt.)complete Without Lamp	Each	30			
11.9	Supplying and fixing of Plain Pendent holder (Anchor Penta PC CHERRY /Gold medal /Kolor kany.kom/Havells or equivalent make as approved by the Deptt.) with twin twisted flexible cable including 11 W CFL lamp and connection as approved by the Deptt.)as required.	Each	25			
11.1	Supplying and fixing of batten holder (Anchor Penta PC CHERRY /Gold medal /Kolor kany.kom/Havells or equivalent make as approved by the Deptt.) including connection as approved by the Deptt.)as required Without Lamp	Each	20			
11.11	Supplying and fixing of batten holder including 11 W CFL lamp and connection as approved by the Deptt.)as required.	Each	20			
11.12	Supplying and fixing of polished Brass Bracket of 18 S.W.G, 25 cm long cast back plate and brass lamp holder complete including connection as approved by the Deptt.)as required Without Lamp	Each	10			
11.13	Supplying and fixing of 3 Pin Top 6 / 16 Amp on the existing 6 / 16 Amp socket including connection as approved by the Deptt.)complete as required	Each	30			
11.14	3 Pin Top for 16 Amp	Each	30			
11.15	Fitting and fixing of brackets on the wall in GI/ MS switch board (ISI marked) half conceal on wall with phenolic laminated sheet cover with all accessories such as GI/ MS switch board (ISI marked) with phenolic laminated sheet cover including connection as approved by the Deptt.)as required complete.	Each	20			

11.16	Supplying and fixing of bulk head fitting suitable for CFL lamp complete with all accessories including connection as approved by the Deptt.)as required. Without lamp.	Each	10			
11.17	Supplying and fixing of bulk head fitting suitable for CFL lamp complete with all accessories including 20 watts CFL lamp and connection as approved by the Deptt.)as required.	Each	6			
11.18	Supplying and fixing of bulk head fitting complete with all accessories including connection as approved by the Deptt.)as required. (Labour charge	Each	24			
11.21	Supplying and fixing of 250/305 mm dia (Nominal size flush type circular ceiling fittings complete with holder, Aluminium anodized back plate and brass holder, 20 Watt CFL lamp including connection as approved by the Deptt.)as required.	Each	28			
11.22	Supplying and fixing of 250/305 mm dia (Nominal size flush type circular ceiling fittings complete with holder, Aluminium anodized back plate and brass holder, 20 Watt CFL lamp including connection as approved by the Deptt.)as required.	Each	6			
11.27	Supplying and fixing of 250 mm x 90 mm (Nominal Size Vitreous enameled Iron Conical Shade with the (Permissible variation 5 mm in size	Each	8			
11.34	Installation, testing and commissioning of pre-cabled fluorescent fitting of all types, complete with all accessories and tubes etc. directly on ceiling/wall including connection as approved by the Deptt.)with 1.5 sq mm PVC insulated copper cables as required.	Each	10			
11.35	Installation, testing and commissioning of pre-cabled fluorescent of all types, complete with all accessories and tubes etc. including supplying ball and socket arrangement, suspension down rod of 19 mm dia H.G. conduit up to 30 cm length including painting and connection as approved by the Deptt.)with 1.5 sq. mm copper cables as required.	Each	10			
11.36	Supplying and fixing of 19 mm dia hot dip galvanised pipe (AKG or equivalent as approved by the Deptt.) for street light water tight bracket including bending to shape and Wiring with 1.5 sq. mm size aluminium weather proof PVC cable etc.. as required.	Each	2			
11.37	Supplying and fixing of 40 mm dia hot dip galvanised pipe (AKG or equivalent as approved by the Deptt.) for street light water tight bracket including bending to shape and Wiring with 1.5 sq. mm size aluminium weather proof PVC cable etc.. as required.	Each	2			

11.38	Installation, testing and commissioning of ceiling fan including the regulator /down rod of standard size (Up to 300 mm) length including connection as approved by the Deptt.)as required.	Each	6			
11.39	Cutting including threading and fitting of G.I. pipe heavy gauge down rod for ceiling fans etc. as required (Labour charge)	Each	6			
11.46	Carriage of Ceiling fans/ exhaust and regulator from store to site as required within 30-km radius.	Each	6			
11.47	Numbering of ceiling fans/exhaust fans as required	Each	6			
11.48	Installation of Exhaust fan up to 450 mm sweep in the existing opening including making the hole to suit the size of the above fan, making good the damages, testing, commissioning etc. as required complete	Each	6			
11.49	Installation of Exhaust fan up to 510 mm sweep in the existing opening including making the hole to suit the size of the above fan, making good the damages, testing, commissioning etc. as required complete	Each	6			
11.5	Extra for fixing the Louvers/Shutters complete with frame for exhaust fans of all sizes	Each	6			
11.51	Supplying including fitting and fixing bus bar chamber (HPL/ GECO / or equivalent make) with 4 strips bus bar of length 350/450/600/900 mm made of aluminium alloy or wrought aluminium suitable for 100 amp capacity complete with all accessories including connection etc. as required complete	Each	2			
11.52	Supplying including fitting and fixing bus bar chamber (HPL/ GECO / or equivalent make) with 4 strips bus bar of length 450/600/900/1000 mm made of aluminium alloy or wrought aluminium suitable for 200 amp capacity complete with all accessories including connection etc. as required complete	Each	2			
11.53	Supplying including fitting and fixing bus bar chamber (HPL/ GECO / or equivalent make) with 4 strips bus bar of length 450/600/900/1000 mm made of aluminium alloy or wrought aluminium suitable for 300 amp capacity complete with all accessories including connection etc. as required complete	Each	2			
11.53	Supplying and fixing of Fan box (AKG or equivalent as approved by the Deptt.)with inbuilt rod as required.	Each	10			

				Total of Part-11			
		PART-13					
		SWITCH GEAR & PROTECTION					
		INDUSTRIAL SOCKETS, DB Without MCB & MCCB , MCB, RCCB, RCBO, SFU, CHANGE OVER ETC. (ABB, Schneider MG, legrand, Hager make)					
SL.NO.		ITEM DESCRIPTION	Unit	Qty	Rate in INR		Amount
					in figure	in words	
13.1		Supplying fitting and fixing industrial Plug & Socket in surface mounting SPN sheet steel powder painted MCB DB incorporated with MCB DIN rail, neutral link Earth bar of the following rating of DP MCB complete with making necessary connection etc. as specified and directed by the Deptt.					
	13.1.1	20A Capacity. (ABB, Schneider MG, legrand, Hager make)	Each	2			
13.2		Supplying fitting and fixing industrial Plug & Socket in surface mounting TPN sheet steel powder painted MCB DB incorporated with MCB DIN rail, neutral link Earth bar of the following rating of 4P MCB complete with making necessary connection etc. as specified and directed by the Deptt.					
	13.2.1	ABB, Schneider MG, legrand, Hager make)	Each				
	13.2.2	20 A Capacity.	Each	2			

	. 1 . 1						
	1 3 . 2 . 1 . 2	30/32A Capacity.	Each	2			
13.3		Supplying with fitting and fixing sheet steel, phosphatised, powder painted Single door surface mounting MCB enclosure incorporated with bas-bar, Neutral link, Earth bar and din rail etc fitted on wall with grouting nuts & bolts as reqd. complete with making necessary connection as approved, specified and directed by the deptt.					
	1 3 . 3 . 1	ABB, Schneider MG, legrand, Hager make)					
	1 3 . 3 . 1 . 1	1 way single door	Each				
	1 3 . 3 . 1 . 2	2 way single door	Each				
	1 3	3 way single door	Each				

	. 3 . 1 . 3						
	1 3 . 3 . 1 . 4	4 way single door	Each	4			
13.4		Supplying with fitting and fixing sheet steel, phosphatised, powder painted Single door surface mounting MCCB enclosure of the following rating MCCB fitted on wall with grouting nuts & bolts as reqd. complete with making necessary connection as approved, specified and directed by the deptt.					
	1 3 . 4 . 1	ABB, Schneider MG, legrand, Hager make)					
	1 3 . 4 . 1 . 1	for 100A 3P/4P MCCB	Each				
	1 3 . 4 . 1	for 125A 3P/4P MCCB	Each	2			

	. 2						
	1 3 .4 .1 .3	for 160A 3P/4P MCCB	Each				
	1 3 .4 .1 .4	for 250A 3P/4P MCCB	Each	1			
				Total of Part- 13			
		PART- 14					
		SWITCH GEAR & PROTECTION					
		INDUSTRIAL SOCKETS, DB WITHOUT MCB & MCCB , MCB, RCCB, RCBO, SFU, CHANGE OVER ETC. (C&S, Havells, INDOASIAN, HPL OR EQUIVALENT as approved by the Deptt.)MAKE)					
SL.NO.		ITEM DESCRIPTION	Unit	Qty	Rate in INR		Amount
					in figure	in words	
14.1		Supplying fitting and fixing industrial Plug & Socket in surface mounting SPN sheet steel powder painted MCB DB incorporated with MCB DIN rail, neutral link Earth bar of the following rating of DP MCB complete with making necessary connection etc. as specified and directed by the Deptt.					
	1 4 .1	20A Capacity. (C&S, Havells, INDOASIAN, HPL or equivalent as approved by the Deptt.)make)	Each	2			

	1					
14.2		Supplying fitting and fixing industrial Plug & Socket in surface mounting TPN sheet steel powder painted MCB DB incorporated with MCB DIN rail, neutral link Earth bar of the following rating of 4P MCB complete with making necessary connection etc. as specified and directed by the Deptt.				
	1 4 . 2 . 1	(C&S, Havells, INDOASIAN, HPL or equivalent as approved by the Deptt.)make)				
	1 4 . 2 . 1 . 1	20 A Capacity.	Each	2		
	1 4 . 2 . 1 . 2	30/32A Capacity.	Each	2		
				Total of Part- 14		
		PART-15				
		MCB DB (ABB, SCHNEIDER MG, LEGRAND, HAGER MAKE) & (SCHNEIDER NEO BREAK, C&S, Havells, INDOASIAN, HPL OR EQUIVALENT MAKE AS PPROVED BY THE DEPTT.)				
		MCB IN-comer SPN DB				

SL.NO.	ITEM DESCRIPTION	Unit	Qty	Rate in INR		Amount
				in figure	in words	
15.1	Supplying with fitting and fixing sheet steel, phosphatised, powder painted Single door surface mounting MCB DB incorporated with bas-bar, Neutral link, Earth bar and din rail etc fitted on wall with grouting nuts & bolts as reqd. complete with making necessary connection as approved, specified and directed by the deptt.					
	1 5 . 1 . 1 1 . 1 . 4					
	12 way SPN single door	Each	2			
	MCB IN-comer TPN (Horizontal DB)					
15.7	Supplying with fitting and fixing sheet steel, phosphatised, powder painted Single door surface mounting TPN MCB DB incorporated with bas-bar, Neutral link, Earth bar and din rail etc fitted on wall with grouting nuts & bolts as reqd. complete with making necessary connection as approved, specified and directed by the deptt.					
	1 5 . 7 . 1 1 . 1 . 1					
	4 way TPN (4+12) Single Door	Each	2			

	. 1					
	1 5 .7 .1 .3	8 way TPN (4+24) Single Door	Each	2		
15.9		Supplying with fitting and fixing sheet steel, phosphatised, powder painted Single door surface mounting horizontal TPN MCB DB incorporated with bas-bar, Neutral link, Earth bar and din rail etc fitted on wall with grouting nuts & bolts as reqd. complete with making necessary connection as approved, specified and directed by the deptt.				
	1 5 .9 .1 .3	8 way TPN (8+24) single door	Each	2		
	1 5 .9 .1 .4	12 way TPN (8+36) single door	Each	2		
		MCB IN-comer TPN vertical DB)				
15.19		Supplying with fitting and fixing sheet steel, phosphatised, powder painted Single door surface mounting vertical TPN MCB DB incorporated with bas-bar, Neutral link, Earth bar 125A and din rail etc fitted on wall with grouting nuts & bolts as reqd. complete with making necessary connection as approved, specified and directed by the deptt.				
	1 5 .	12 way TPN (8+36) single door	Each	2		

	1 9 . 1 . 3						
15.2		Supplying with fitting and fixing sheet steel, phosphatised, powder painted dust & vermin proof Double door IP-43 double door surface mounting vertical TPN MCB DB incorporated with bas-bar 125A, Neutral link, Earth bar and din rail etc fitted on wall with grouting nuts & bolts as reqd. complete with making necessary connection as approved, specified and directed by the deptt.					
	1 5 . 2 0 . 1	ABB, Schneider MG, legrand, Hager make)					
	1 5 . 2 0 . 1 . 2	8 way TPN (8+24) double door	Each	2			
15.21		Supplying with fitting and fixing MCCB income and MCB outgoing sheet steel, phosphatised, powder painted single door surface mounting vertical TPN MCB DB incorporated with bas-bar, Neutral link, Earth bar up to 125A and din rail etc fitted on wall with grouting nuts & bolts as reqd. complete with making necessary connection as approved, specified and directed by the deptt.					
	1 5 .	8 way TPN (4+24) single door	Each	2			

	2 1 . 1 . 2						
	1 5 . 2 1 . 1 . 3	12 way TPN (4+36) single door	Each	2			
				Total of Part- 15			
		PART - 16					
		MCB, MCCB, RCCB, RCBO (ABB, SCHNEIDER MG, LEGRAND, AND HAGER MAKE) & (SCHNEIDER NEO BREAK, C&S, Havells, INDO ASIAN, HPL OR EQUIVALENT MAKE AS PPROVED BY THE DEPTT.) MCB (Conform to IS / IEC 60898-1:200/ MCCB (Conform to IS/IEC 60947- RCCB (Conform to IS/IEC 12640 / 61008)					
SL.NO.		ITEM DESCRIPTION	Unit	Qty	Rate in INR		Amount
					in figure	in words	
16.1		Supplying with fitting and fixing single Pole 10 KA 240/415V 50Hz MCB of the following capacity complete with making necessary connection as approved, specified and directed by the depts.					
	1 6 . 1	B (Schneider MG, legrand, Hager make)	Series				

	. 1						
	1 6 .1 .1 .1	6 to 32A	Each	15			
	1 6 .1 .2	C (Schneider MG, legrand, Hager make)	Series				
	1 6 .1 .2 .1	6 to 32A	Each	15			
	1 6 .1 .3	3. D (ABB, Schneider MG, legrand, Hager make)	Series				
	1 6 .1 .3 .1	6 to 32A	Each				

	1 6 .1 .3 .2	40A	Each				
16.3		Supplying with fitting and fixing DP 10 KA 240/415V 50Hz MCB of the following capacity complete with making necessary connection as approved, specified and directed by the deptt.					
	1 6 .3 .1	B Series (ABB, Schneider MG, legrand, Hager make)					
	1 6 .3 .1 .3	63A	Each	2			
	1 6 .3 .2	C Series (ABB, Schneider MG, legrand, Hager make)					
	1 6 .3 .2 .3	63A	Each	1			

16.4		Supplying with fitting and fixing TP 10 KA 240/415V 50Hz MCB of the following capacity complete with making necessary connection as approved, specified and directed by the deptt.					
	1 6 .4 .1	B Series (Schneider MG, legrand, Hager make)					
	1 6 .4 .1 .1	6 to 32A	Each	2			
	1 6 .4 .1 .2	40A	Each	2			
	1 6 .4 .1 .3	63A	Each	2			
	1 6 .4 .2	C Series (ABB, Schneider MG, legrand, Hager make)					

	1 6 . 4 . 2 . 1	6 to 32A	Each	2			
	1 6 . 4 . 2 . 2	40A	Each	2			
	1 6 . 4 . 2 . 3	63A	Each	2			
16.5		Supplying with fitting and fixing TPN 10 KA 240/415V 50Hz MCB of the following capacity complete with making necessary connection as approved, specified and directed by the deptt.					
	1 6 . 5 . 1	B Series (ABB, Schneider MG, legrand, Hager make)					
	1 6 . 5 .	6 to 32A	Each				

	1 . 1						
	1 6 . 5 . 1 . 2	40A	Each	1			
	1 6 . 5 . 1 . 3	63A	Each	1			
16.7		Supplying with fitting and fixing 30/100/300mA sensitivity 240/415V 50Hz DP RCCB of the following capacity complete with making necessary connection as approved, specified and directed by the deptt.					
	1 6 . 7 . 2	100/300mA sensitivity DP RCCB (ABB, Schneider MG, legrand, Hager make)					
	1 6 . 7 . 2 . 1	25A	Each				
	1 6 .	40A	Each				

	7 . 2 . 2						
	1 6 . 7 . 2 . 3	63A	Each	2			
	1 6 . 7 . 2 . 4	80A	Each				
	1 6 . 7 . 2 . 5	100A	Each	2			
16.8		Supplying with fitting and fixing 30/100/300mA sensitivity 240/415V 50Hz 4P RCCB of the following capacity complete with making necessary connection as approved, specified and directed by the deptt.					
	1 6 . 8 . 2	100/300mA sensitivity 4P RCCB (ABB, Schneider MG, legrand, Hager make)					

	1 6 · 8 · 2 · 1	25A	Each				
	1 6 · 8 · 2 · 2	40A	Each				
	1 6 · 8 · 2 · 3	63A	Each	4			
	1 6 · 8 · 2 · 4	80A	Each				
	1 6 · 8 · 2 · 5	100A	Each	2			

		RCBO					
16.1		Supplying with fitting and fixing 30/100/300mA sensitivity 240/415V 50Hz 4P RCBO of the following capacity complete with making necessary connection as approved, specified and directed by the deptt.					
	1 6 .1 0 .2	300mA sensitivity 4P RCBO (ABB, Schneider MG, legrand, Hager make)					
	1 6 .1 0 .2 .1	25A	Each	1			
	1 6 .1 0 .2 .2	32A	Each	1			
	1 6 .1 0 .2 .3	40A	Each	1			

	1 6 . 1 0 . 2 . 4	63A	Each	2			
				Total of Part-16			
		PART - 22					
		EARTHING					
SL.NO.		ITEM DESCRIPTION	UNIT	Qty	Rate in INR		Amount
					in figure	in words	
22.2		Supply with installation & commissioning of readymade maintenance free CPRI approved chemical earthing system with 50 mm dia. 3.00 Metres length corrosion free dual pipe technology G.I. CHEMRODE ELECTRODE complete with RESLOW Grounding Minerals (25 K and Advance Earth Pit cover (PV including excavation of earth pit and construction brick earth chamber including plastering both inner & outer surface of brick wall as specified and directed by the deptt.	Each	2			
22.5		Supply with installation & commissioning of readymade maintenance free CPRI approved chemical earthing system with 50 mm dia. 3.00 Metres length corrosion free Single pipe technology- Copper CHEMRODE ELECTRODE complete with RESLOW Grounding Minerals (25 K and Advance Earth Pit cover (PV including excavation of earth pit and construction of brick earth chamber including plastering both inner & outer surface of brick wall as specified and directed by the deptt.	Each	2			

22.7	Supply, installation & testing of G.I. earth station with perforated 40 mm dia and 4.50 Metre long heavy duty G.I. pipe with necessary 40 mm dia. G.I. Fittings such as Socket, Tee, elbow, nipple and 50 mmx40 mm G.I. reducing socket for funnel including locking arrangement 300 mmx300 mmx6 mm hinged cover C.I. earth plate complete with digging of earth pit, construction of brick chamber and plastering of both inner & outer surface of wall as specified and directed by the deptt .	Each	2			
22.9	Supply, installation & testing of G.I. Plate earth station with 600 mmx600 mmx6 mm heavy duty G.I. earth plate with necessary 40 mm dia. G.I. watering pipe with G.I. Fittings such as Socket, Tee, elbow, nipple and 50 mmx40 mm G.I. reducing socket for funnel including locking arrangement with 300 mmx300 mmx6 mm hinged cover C.I. cover plate complete with digging of earth pit, construction of brick chamber and plastering of both inner & outer surface of wall as specified and directed by the deptt .	Each	2			
22.1	Supply, installation & testing of Copper Plate earth station with 600 mmx600 mmx3 mm copper earth plate with necessary 40 mm dia. G.I. medium duty watering pipe with G.I. Fittings such as Socket, Tee, elbow, nipple and 50 mmx40 mm G.I. reducing socket for funnel including locking arrangement with 300 mmx300 mmx6 mm C.I. hinged cover plate complete with digging of earth pit, construction of brick chamber and plastering of both inner & outer surface of wall as specified and directed by the deptt .	Each	1			
22.12	Extra for using salt (5 K and Charcoal (64 K in pipe Earth Station pit to provide low impedance ground in location of high soil resistivity as and when required and specified by the Deptt.	Each	2			
22.13	Extra for using salt (5 K and Charcoal (96 K in G.I./Copper plate Earth Station pit to provide low impedance ground in location of high soil resistivity as and when required and specified by the deptt .	Each	2			
22.15	Supplying & laying of 6 SWG G.I. earth from Earth Electrode (below G.L.) to electrical switch gears or electrical machineries including making necessary connection as approved, specified and directed by the deptt.	Metre	10			
22.16	Supplying & laying of 8 SWG Copper. earth from Earth Electrode (below G.L.) to electrical switch gears or electrical machineries including making necessary connection as approved, specified and directed by the deptt.	Metre	15			

22.18	Supplying & laying of 6 SWG G.I. earth drawn through 15 mm dia. Medium quality G.I. pipe from Earth Electrode (below G.L.) to electrical switch gears or electrical machineries including making necessary connection as approved, specified and directed by the deptt.	Metre	15			
22.3	Supply, fitting & fixing 20 mmx5 mm G.I. strips drawn on vertically or horizontally on building wall/parapet wall in surface system complete with supply of G.I. Nuts & Bolts, Screws etc including riveting, soldering and making connection as approved by the Deptt.)with earth electrode G.I. strips and Lightning Arrestor etc. as specified and directed by the deptt.	Metre	20			
22.31	Supply, fitting & fixing 20 mmx3 mm Copper strips drawn on vertically or horizontally on building wall/parapet wall in surface system complete with supply of Brass Nuts & Bolts, Screws etc including riveting, soldering and making connection as approved by the Deptt.)with earth electrode copper strips and Lightning Arrestor etc. as specified and directed by the deptt.	Metre	10			
22.32	Supply, fitting & fixing of Lighting Finial Arrestor made of 25 mm dia 300 mm long solid G.I. tube having 85 mm dia. single prong at top and 3 mm base plate at bottom complete with fitting & fixing with G.I. nuts & bolts on roof, RCC slab, top of column etc. as specified and directed by the deptt.	Each	2			
22.33	Supply, fitting & fixing of Lighting Finial Arrestor made of 25 mm dia 300 mm long solid Copper tube having 85 mm dia. single prong at top and 3 mm thick base plate at bottom complete with fitting & fixing with Brass nuts & bolts on roof, RCC slab, top of column etc. as specified and directed by the deptt.	Each	2			
22.34	Supply and drawing of earth continuity with 1.50 SQ mm single core flame retardant low smoke PVC insulated multistrand twisted copper cable (Green colour in the existing PVC conduits including making necessary connection as approved, specified and directed by the deptt.	Each	10			
			Total of Part-16			
	PART- 23					
	LUMINAIRES					
SL.NO.	ITEM DESCRIPTION	Unit	Qty	Rate in INR		Amount

					in figure	in words	
23.1		Supplying with fitting fixing of CFL/Fluorescent luminaries complete with all accessories such as ballast, starter etc. directly on wall / ceiling including connection as approved by the Deptt.)with 1.5 sq mm P.V.C. insulated S.C. copper conductor as required and as directed by the department.					
	2 3 . 1 . 1	Striplite luminaries complete with VPIT copper ballast and 1 X 18 / 20 watt Fluorescent tube.(Crompton Greaves make) Model- DSG1112LDB CROMGOLD with Super Saver / Super Brite Lamp/ DSG1112LDB CROMGOLD with Power Lux Lamp or equivalent (Equivalent will be selected by the deptt considering the mother items rate) PHILIPS/ WIPRO/ BAJAJ/ Havells/ HPL/ SOLAR/ JAQUAR make.	Each	30			
	2 3 . 1 . 2	Striplite luminaries complete with VPIT copper ballast/ Electronic ballast and decorative end cap and 1 X 36 / 40 watt Fluorescent tube.(Crompton Greaves make) Model- DSG1114LDB CROMGOLD / DSG1114LDBN CROM GOLD NEW / DSG1314EB CG GOLD / DSG 1414EB PLANET GOLD with Super Saver / Super Brite Lamp. Or equivalent (Equivalent will be selected by the deptt considering the mother items rate) PHILIPS/ WIPRO/ BAJAJ/ Havells/ HPL/ SOLAR/ JAQUAR make.	Each	30			
	2 3 . 2 . 5	RVP 339 1 X CDMTD 70W R Phillips make) Unifold RVP339 Integral floodlight luminaries with die Cast Aluminium housing & toughened glass cover (IP-65) ingress protection and rectangular R reflector for planar symmetric optical distribution. Or equivalent (Equivalent will be selected by the deptt considering the mother items rate) (Havells/ WIPRO/ BAJAJ/ CROMPTON / HPL/ SOLAR/ JAQUAR make).	Each	40			
					Total of Part-23		
		NON-SCHEDULE ITEM					
		MAIN PANEL					
	1	Design, manufacture, supply, installation, testing and commissioning of Main Panel (outdoor type) fabricated out of 14 SWG CRCA sheet steel, IP52, wall / floor mounting type. The sheet steel shall undergo minimum 9 tank treatment followed by finishing powder coating of min 60 micron thickness. the board includes 415 V electrolytic Aluminium Bus Bar, removable gland plates, cable glands, including connection with outgoing feeders complete in all respect.					

	12 Nos. outgoing feeders shall be provided with energy analyser / electronic dual reading KWHR meter with RS 485 communication port, CT's with accuracy class 1.					
	The incoming MCCB shall be microprocessor based with inbuilt O/L & S/C release with E/F protection and all Outgoings MCCB's shall be thermal-magnetic based with inbuilt O/L & S/C release.					
	The MCCB's shall be Ics = 100% Icu, with rotary handle & pad locking arrangement, with adjustable O/L & adjustable S/C trip setting as per load requirement. TP MCCB shall be with solid isolable neutral link. The breaking capacity specified is Ics value.					
	The above board shall be complete with 3 nos. phase indicating lights, flush mounted Ammeter, Voltmeter, CT's, PT's, selector switches, protective fuses etc. at Incomer with all inter connections by min. 2.5 sq.mm. Copper wires.					
	INCOMER : 250 AMP FP MCCB (25 KA)					
	BUS BAR : 250 AMP, 500 Volts, 3 phase 50 HZ TPN high conductivity electrolytic Aluminium bus bar of suitable length, insulated by heat shrinkable sleeves. The current density of bus bar shall be minimum 1.00 sq mm / amp.					
	The Maximum allowable temperature for the Bus bar to be restricted to 85 deg C. The temperature rise should be restricted to 35 deg C above ambient temperature.					
	OUT GOINGS :					
	12 Nos. 40, FP MCB, 10kA with ON/OFF indicating lamps.					
	4 Nos. 16A, DP MCB, 10kA with ON/OFF indicating lamps.	SET	1			

BOQ FOR EXTERNAL LIGHTING NON SCHEDULE ITEMS							
S.N	DESCRIPTION OF ITEMS	UNIT	QTY.	Rate in INR		Amount	
1	SUB LT PANEL			in figure	in words		

	Supplying, installation, testing & commissioning of cubical type LT panel suitable for 415 V, 3 Phase, 4 Wire 50 Hz AC supply system having fabricated in compartmentalized design from CRCA sheet steel of 2 mm thick for frame work and covers, 3 mm thick for gland, plates i/c cleaning & finishing complete with 7 tank process for powder coating in approved shade, having suitable Amp capacity extensible type TPN aluminium alloy bus bars of light conductivity, DMC / SMC bus bars of high conductivity, DMC/ SMC bus bar supports, with short circuit withstand capacity of 31 MVA for 1 Sec., bottom base channel of MS section not less than 100 mm x 50 mm x 5 mm thick, fabrication shall be done in transportable sections, entire panel shall have a common Aluminium/GI earth bar of size 25 mm x 5 mm at the rear with 2 Nos. earth stud, solid connections from main bus bar to switch gears with required size of Al. bus bars and control wiring with sq. mm. PVC insulated copper conductor S/C cable, cable alleys, cable gland plates in two half, i/c providing following switch gears :-					
A).	INCOMING SUPPLY :					
	1 No. 63 A, 4P (100% Neutral) MCCB (36 kA) with Microprocessor based O/L, S/C and E/F releases.					
B)	METERING & INDICATING LIGHTS					
	1 Nos MFM Meters					
	1 Set of 100/5A, CL-1, 15VA CTs for measuring.					
	Sets of phase indicating ,ON/OFF,TRIP Indicating lamps with 2A control MCBs.					
C)	BUSBAR:					
	Electrolytic high conductivity TPN (100% Neutral) Aluminium busbars rated at 200 amps (25 kA) with heat shrinkable PVC sleeves.					
D)	OUTGOING FEEDER:					
ii	2Nos.32 A TPN MCB with Timer for LANDSCAPING & EXT. POLE LIGHTS .					
iii	2Nos.32 A TPN MCB with Timer for LANDSCAPING & EXT. POLE LIGHTS .					
iv		Set	1			
2	CABLING WORK (SUPPLY)					
i).	Supply of following size of XLPE / PVC insulated,PVC Sheathed, Aluminium Conductor armoured power cable of 1.1kV grade etc. as required.					
d)	4C x 6sq.mm 1.1kV Al. Cable	MTR	75			

3A	LAYING OF CABLES :					
3B	Laying of one number XLPE / PVC insulated, PVC sheathed Aluminium Conductor Armoured power cable of 1.1kV grade of following sizes in ground including excavation and backfilling and identified at regular intervals as required.					
d)	4C x 6sq.mm 1.1kV Al. Cable	MTR	75			
4	LT CABLE TERMINATION					
	End termination with brass compression gland and aluminium lugs for following size of PVC insulated and PVC sheathed / XLPE aluminium conductor cable of 1.1 KV grade as required.					
d)	4C x 6sq.mm 1.1kV Al. Cable	Nos	5			
5	STREET LIGHT 4 CORNER					
	Supply and fixing of LED Street light Fitting having die cast aluminium body and diffuser with driver set suitable for 30Watt. to 40 Watt. Confirming to IP 65 and above protection complete in all respect. CAT-AA	nos.	4			
6	EARTHING SYSTEM					
iii	Supplying and installation of following sizes of earth strip & wires by using spacer clamp for main earth flat, suitable clamping with M.S / Cu. flats for earthwires etc., including terminal crimping type sockets, bolts & washers, etc required for the complete job.					
d	Providing and fixing 6 SWG GI wire on surface are in recesses for loop earthing long with existing conduit / cable as required	MTR	150			

PLUMBING WORKS						
Item no	Description	Unit	Qty.	Rate in INR		Amount
				in figure	in words	
A	INTERNAL WATER SUPPLY					

18.12 (V2)	Providing and fixing G.I. Pipes complete with G.I. fittings and clamps, i/c making good the walls etc. concealed pipe, including painting with anti corrosive bitumastic paint, cutting chases and making good the wall :					
	(A) Exposed on walls					
	c) 32 mm dia (Medium)					
	i) Using Tata make	RM	5			
	d) 25 mm dia (Medium)					
	i) Using Tata make	RM	5			
	e) 20mm dia (Medium)					
	i) Using Tata make	RM	20			
	f) 15 mm dia (Medium)					
	i) Using Tata make					
	(B) Concealed by chieselling or breaking brick wall/ C.C. wall/ R.C.C. wall and making good to the damaged structure.					
	e) 20mm dia (Medium)					
	i) Using Tata make	RM	5			
	f) 15 mm dia (Medium)					
	i) Using Tata make	RM	5			
	GRATING					
	Providing fitting & fixing C.I. Grating to the floors complete as directed and specified.					
	(a) 100mm dia	each	2			
	Providing fitting & fixing (300x230)mm C.I. yard gully hinged Grating complete as directed and specified.	each	2			
	C.P. Grating					
	(i) 160mm dia	each	2			
	(ii) 110mm dia	each	2			

	Providing and fixing gun metal gate valve with C.I. wheel of approved quality (screwed end):					
1645	50 mm nominal bore	Each	2			
18.33	Constructing masonry Chamber 60x60x75 cm inside, in brick work in cement mortar 1:4 (1 cement : 4 coarse sand) for sluice valve, with C.I. surface box 100mm top diameter, 160 mm bottom diameter and 180 mm deep (inside) with chained lid and RCC top slab 1:2:4 mix (1 cement : 2 coarse sand : 4 graded stone aggregate 20mm nominal size) , i/c necessary excavation, foundation concrete 1:5:10(1 cement : 5 fine sand : 10 graded stone aggregate 40 mm nominal size) and inside plastering with cement mortar 1:3 (1 cement : 3 coarse sand) 12 mm thick, finished with a floating coat of neat cement complete as per standard design :					
18.33.1	With common burnt clay F.P.S.(non modular) bricks of class designation 7.5	Each	2			
18.6	Providing and fixing enclosed type water meter (bulk type) conforming to IS : 2373 and tested by Municipal Board complete with bolts, nuts, rubber insertions etc. (The tail pieces if required will be paid separately) :					
18.6.1	80 mm dia nominal bore	Each	1			
	TOTAL					
B	EXTERNAL WATER SUPPLY (SCHEDULE ITEM)					
18.12	Piping					
18.12.1	Supplying fitting and fixing Pipes with all necessary fittings in exposed or in trenches including trenching and refilling the same etc complete as directed					
	A) G.I. pipe with GI fittings					
	iii) 25mm diameter	Rm	4			
	iv) 32 mm diameter	Rm	5			
	WATER TANK					
	Supplying and placing plastic cylindrical vertical closed top (PCVC) tank of Sintex / Polycon / Patton make over the staging with manhole cover with locking and cleaning arrangement including providing pads of size as required for inlet and outlet pipes					

(I)	2000 Lt capacity					
	(a) Sintex make	Each	1			
29.1.6	Providing & Fixing of Gun Metal fire Brigade Connection (inlet collection head) consisting of 63mm instantaneous type male coupling with built in check valves and 150 mm dia flanged outlet complete with bolts, nuts and rubber insertions as per IS:904-1983 complete as reqd. MAKE: ESSEL/WINCO/NEWAGE					
	b) 04 way	each	1			
	Down Take pipe					
18.9	PVC PIPES,BENDS,JUNCTIONS,TEES ETC.					
18.9.1	Providing and fixing Chlorinated Polyvinyl Chloride (CPVC) pipes, having thermal stability for hot & cold water supply including all CPVC plain & brass threaded fittings This includes jointing of pipes & fittings with one step CPVC solvent cement, trenching, refilling & testing of joints complete as per direction of Engineer in Charge.					
	a) In exposed surfaces or in trenches.					
	(i) 150mm dia.	each	5			
	(ii) 100mm dia.	each	5			
1.37.2	Supplying, fitting and fixing 87.5 degree PVC bend of (Supreme/Prince) or other ISI approved including joining ,fitting and fixing etc.as necessary complete at all levels including below G.L as directed and specified.					
	a) In exposed surfaces or in trenches.					
	(i) 150mm	each	2			
	(ii) 100mm dia.	each	5			
1.37.4	Supplying fitting and fixing 45degree PVC bend of (Supreme/Prince) or other ISI approved including joining , fitting and fixing etc. as necessary complete at all levels including below G.L. as directed and specified.					
	a) In exposed surfaces or in trenches.					
	(i) 150mm dia	each	2			

	(ii) 100mm dia.	each	2			
1.37.5	Supplying fitting and fixing PVC Plain single tee of (Supreme/ Prince) or other ISI approved including joining, fitting and fixing etc. as necessary complete at all levels including below G.L. as directed and specified.					
	a) In exposed surfaces or in trenches.					
	(i) 150mm dia	each	2			
	(ii) 100mm dia.	each	2			
1.37.13	Supplying fitting and fixing PVC coupler of (Supreme / Prince) or other ISI approved including joining , fitting and fixing etc. as necessary complete at all levels including below G.L. as directed and specified.					
	a) In exposed surfaces or in trenches.					
	(i) 100 mm dia	each	2			
	(iii) 75 mm dia	each	2			
1.37.14	Supplying fitting and fixing PVC reducer of (Supreme/Prince) or other ISI approved including joining , fitting and fixing etc. as necessary complete at all levels including below G.L. as directed and specified.					
	a) In exposed surfaces or in trenches.					
	(i) 150mm x 100 mm	each	2			
	(iii) 100 mm x 90 mm	each	2			
	SOAK PIT AND INSPECTION CHAMBER					
1.51	Construction of filter bed in soak pit including earth work in excavation of soil and then filling up of the trench with brick bats/Charcoal covered with earth over a layer of A.C. plain sheet above brick bat filling complete as directed. (sizes of soak pit may vary depending on the sizes and capacities of the septic tank as well as the number of users as mentioned in the table.	Cum	1			

1.52	Construction of inspection pit inside measurement 450mm x450mm x450mm flush with 100mm diameter HCl/PVC pipes and cement concrete base in proportion 1:3:6 over flat brick soling, 12cm brick wall in cement mortar in proportion 1:4 finished with 13mm cement plaster in proportion 1:2 in side wall and floor. 450mm x450mm air tight C.I. inspection pit cover and frame complete including supplying of materials, necessary excavation of pit as directed.	each	2			
C		SEWERAGE (SCHEDULED ITEMS)				
2.13	Excavating trenches of required width for pipes, cables, etc, including excavation for sockets, depth upto 1.5 m, including getting out the excavated materials, returning the soil as required in layers not exceeding 20 cm in depth, including consolidating each deposited layers by ramming, watering etc., stacking serviceable material for measurements and disposal of unserviceable material as directed, within a lead of 50 m :					
2.13.1.2	Pipes, cables etc. exceeding 80 mm dia but not exceeding 300 mm dia	Metre	30			
19.7	Constructing brick masonry manhole with well burnt modular clay bricks crushing strength not less than 35kg/ cm ² in cement mortar 1:4 (1 cement : 4 coarse sand), R.C.C. top slab with 1:2:4 mix (1 cement : 2 coarse sand : 4 graded stone aggregate 20 mm nominal size), foundation in cement concrete 1:4:8 mix (1 cement : 4 coarse sand : 8 graded stone aggregate 40mm nominal size) inside plastering 12mm thick with cement mortar 1:3 (1 cement : 3 coarse sand) finished with floating coat of neat cement and making channels in cement concrete 1:2:4 (1 cement : 2 coarse sand : 4 graded stone aggregate 20mm nominal size) finished with a floating coat of neat cement complete as per standard design :					
19.7.1	Inside size 90x80 cm and 45 cm deep including C.I. cover withframe (light duty) 455x610 mm internal dimensions, total weightof cover and frame to be not less than 38 kg (weight of cover 23kg and weight of frame 15 kg) :					

19.7.1.1	With common burnt clay F.P.S. (non modular) bricks of class designation 7.5	each	2			
19.8	Extra for depth for manholes :					
19.8.1	Size 90x80 cm					
19.8.1.1	With common burnt clay F.P.S. (non modular) bricks of class designation 7.5	metre	1			
19.1	Providing, laying and jointing glazed stoneware pipes class SP-1 with stiff mixture of cement mortar in the proportion of 1:1 (1 cement : 1 fine sand) including testing of joints etc. complete :					
19.1.3	200 mm diameter	metre	50			
	TOTAL					
D	STORM WATER (SCHEDULED ITEMS) DSR -2016					
2.1	Excavating trenches of required width for pipes, cables, etc, including excavation for sockets, depth upto 1.5 m, including getting out the excavated materials, returning the soil as required in layers not exceeding 20 cm in depth, including consolidating each deposited layers by ramming, watering etc., stacking serviceable material for measurements and disposal of unserviceable material as directed, within a lead of 50 m : All kinds of soil					
2.10.1.2	Pipes, cables etc. exceeding 80 mm dia but not exceeding 300 mm dia	Metre	25			
19.6	Providing and laying non-pressure NP2 class (light duty) R.C.C. pipes with collers jointed with stiff mixture of cement mortar in the proportion of 1:2 (1 cement :2 fine sand) including testing of joints etc. complete :					
19.6.2	150 mm dia. R.C.C. pipe	Metre	25			
	SANATARY WARE					
	Providing fitting and fixing vitreous water closet squatting pan (Indian type W.C Orissa pattern) with all fittings and fixtures complete including cutting and making good to the walls and floors wherever required. (Flushing Cistern to be paid separately)	Each	2			
	Indian type Orissa pattern of size 500mma) White) Parryware make					
	Indian type Orissa pattern of size 500mma) White) Parryware make					

	URINAL					
	Providing fitting and fixing vitreous china flat back type lipped front urinal basin with standard flush pipe and CP brass spreader and brass unions, etc. complete including painting of fittings and brackets, cutting and making good the walls & floors wherever required.(a) White(iv) Flat Back (Cat. No.C0501/72)	Each	2			
	Wash Basin					
	BASIN Providing vitreous China wash basin with CI/MS brackets, C.P brass chain with plug,PVC waste pipe including painting of fittings and brackets, cutting and making good the walls wherever required. (Pillar cock, stop cocks, waste coupling are to be paid separately)	Each	2			
	Wall Hang Basin(a) White(i) Compact 450 x 300 (Cat.No.10004)/Windsor 450 x 320 (Cat No. 10036)					

	Description of item	UniT	Qty	Rate in INR		Amount
				in figure	in words	
	FIRE EXTINGUISHER					
	Supply, Installation, Fixing of ABC stored Pressure Fire Extinguisher with built – In Pressure Gauge to know the Ready ness of the Extinguisher Squeeze Grip Handle as per IS:13849 with ISI mark. (5 kg capacity) BRAND : FIRESTOP / FIREEND / FIRE SHIELD	each	5			
	TOTAL (INR)					
	TOTAL (IN WORDS)					

Note:

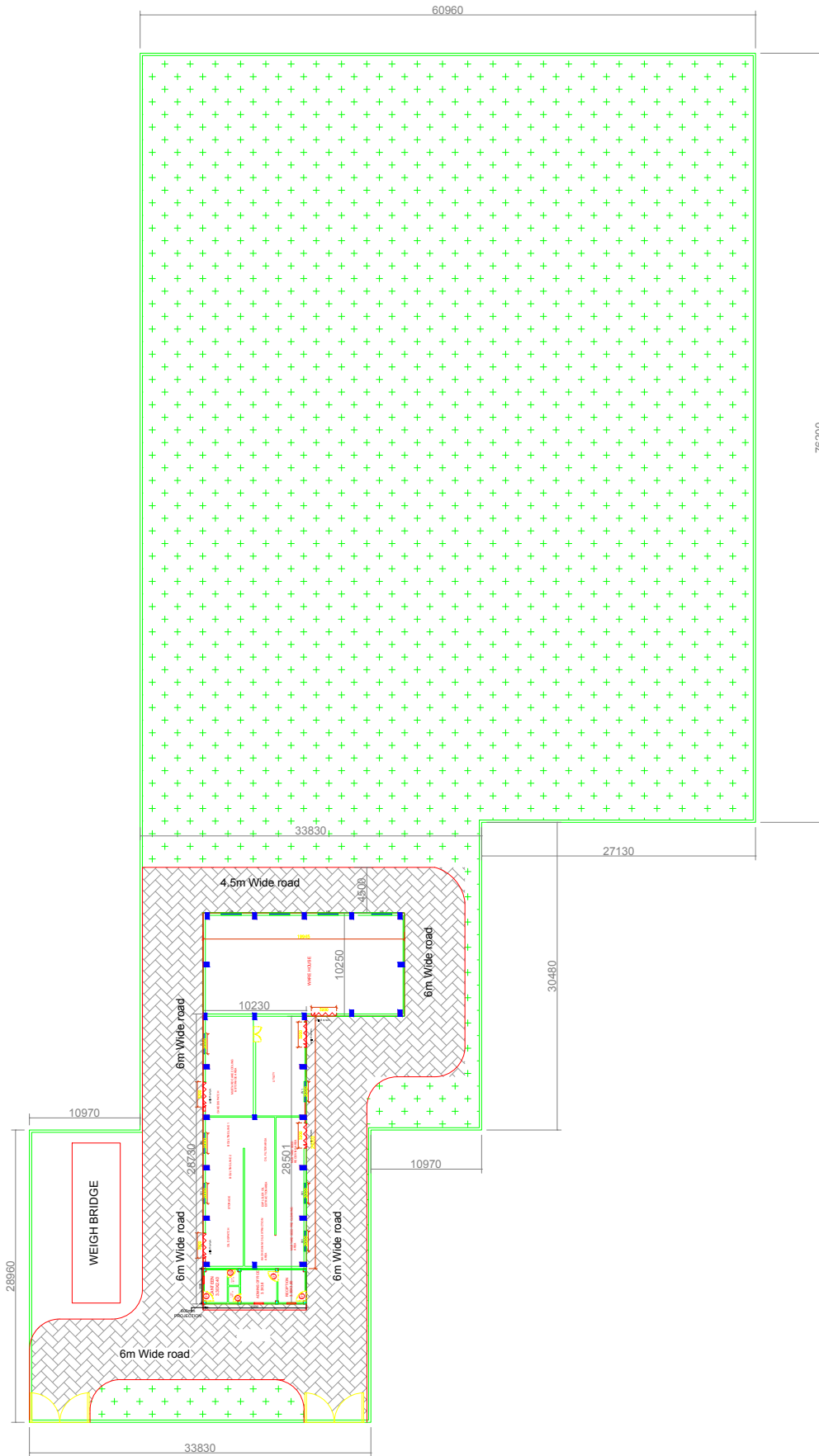
1. *Item for which no rate or price has been entered in will not be paid for by the Employer when executed and shall be deemed covered by the other rates and prices in the Bill of Quantities (refer :ITB Clause 14.2 and GCC Clause 41.3)*
2. *Unit rates and prices shall be quoted by the bidder in Indian Rupees [ITB Clause 14.1 and ITB Clause 15.1]*
3. *Where there is a discrepancy between the unit rate and the line item total resulting from multiplying the unit rate by quantity, the unit rate quoted shall govern as explained in [ITB Clause 36.1]. [Note: delete this point if the e-procurement system automatically calculates the total from the unit rate and quantity]*
4. *Where there is a discrepancy between the rate in figures and words, the rates in words will govern.[ITB Clause 36.1] [Note: delete this point if the e-procurement system automatically populates the amount in words from the amount in figures]*
5. *A provisional sum (Fixed Amount) for the unknown items of resettlement of existing temporary market sheds is provided which will be operated at the instruction of Engineer-in-Charge. The Bidders shall quote the same amount as appeared in the last row of BOQ Schedule in their own BOQ Schedule submitted in Financial Bids. As the amount is fixed for all the bidders, the amount shall not be calculated in deciding the financial proposals of the bidders.*

We agree to execute the works in accordance with the approved drawings and technical specifications at a total fixed contract price quoted by us in the Letter of Bid

Signature of Contractor

DRAWINGS

- 1. Site Plan**
- 2. Building Plan**
- 3. Centerline Plan**
- 4. Foundation Plan**
- 5. Foundation Detail**
- 6. Plinth Beam Plan**
- 7. Plinth Beam Detail**
- 8. Office Building Slab Plan**
- 9. Office Building Slab Detail**
- 10. Typical Section Through Shed**
- 11. Door Window**
- 12. Section Elevation Plan**



OPTION 1

NAME OF PROJECT :

**INTEGRATED MUSTARD OIL
PROCESSING FACILITY**

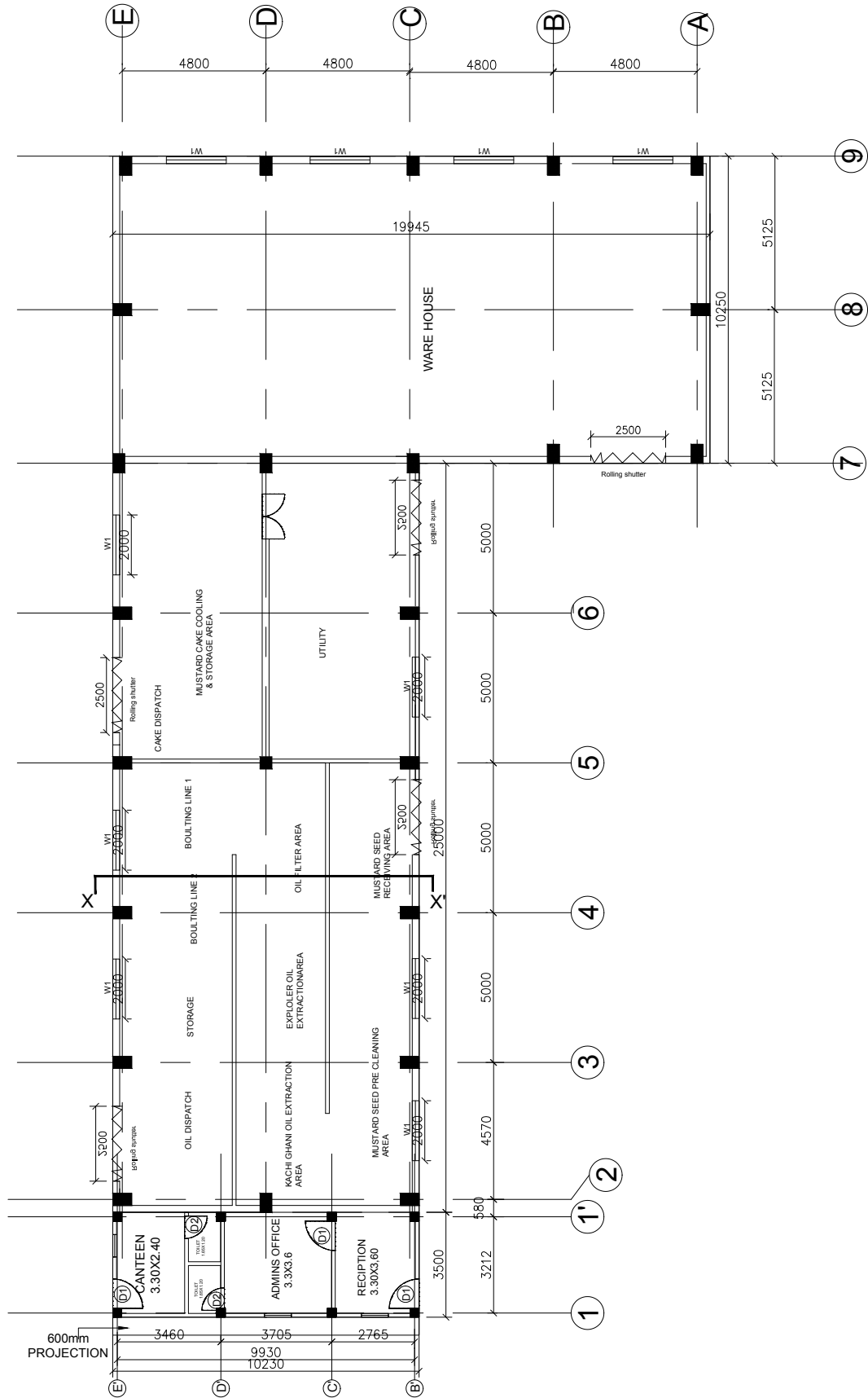
CLIENT / SPV :

**BISWANATH MUSTARD OIL
PRIVATE LIMITED**

DRAWING TITLE - 01 SITE PLAN

PUPOSE - TENDER DRAWING

DATE- 19-07-2021



PLAN OF OIL PROCESSING, UTILITY, AND WARE HOUSE

NAME OF PROJECT :

INTEGRATED MUSTARD OIL PROCESSING FACILITY

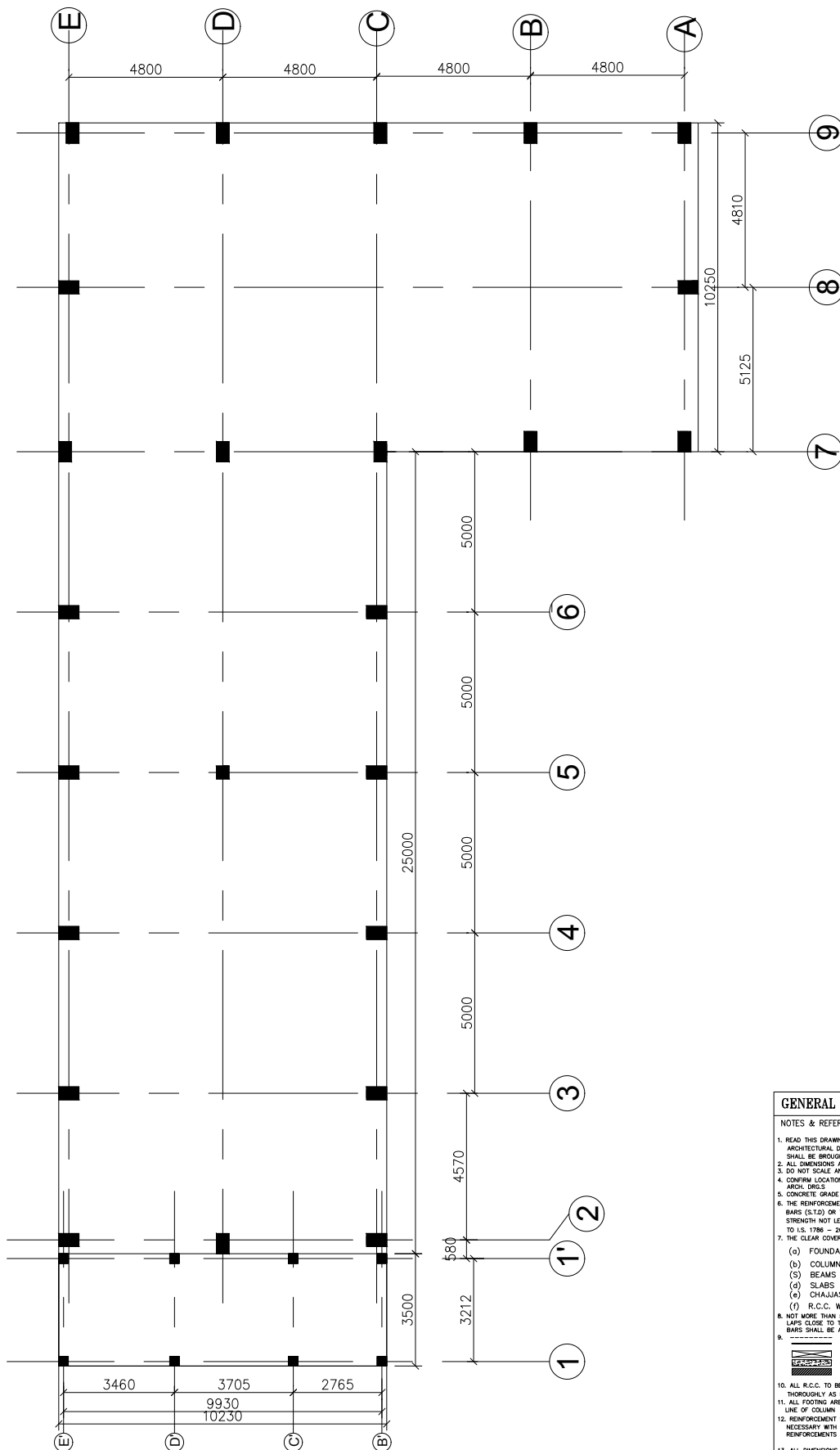
CLIENT / SPV :

BISWANATH MUSTARD OIL PRIVATE LIMITED

DRAWING TITLE - 02 BUILDING PLAN

PUPOSE - TENDER DRAWING

DATE- 19-07-2021



CENTRELINE PLAN

- GENERAL NOTES -**
- NOTES & REFERENCES
1. READ THIS DRAWING IN CONJUNCTION WITH RELEVANT ARCHITECTURAL DRAWINGS. ANY DISCREPANCY IF FOUND SHALL BE BROUGHT TO THE NOTICE OF CONSULTANT.
 2. ALL DIMENSIONS ARE IN MM & LEVELS IN MILLIMETERS.
 3. DO NOT SCALE ANY DIMENSION.
 4. CONFIRM LOCATION OF WALLS WITH RELEVANT WORK DROGS.
 5. CONCRETE GRADE IS M25.
 6. THE REINFORCEMENT SHALL BE SOLDTWISTED DEFORMED BARS (S12) OR T.M.L. BARS HAVING YIELD STRENGTH NOT LESS THAN 500 N/mm² AND CONFORMING TO IS. 1786 - 2006.
 7. THE CLEAR COVER TO THE REINFORCEMENT SHALL BE AS FOLLOWS:-
 - (a) FOUNDATION : 50 MM
 - (b) COLUMNS : 40 MM
 - (c) BEAMS (top & bottom) 30 MM side Cover 25mm
 - (d) SLABS : 25 MM
 - (e) CHAJJAS/CANOPY : 30 MM
 - (f) R.C.C. WALL : 30 MM(EARTH FACE) & 25MM(INNER FACE)
 8. NOT MORE THAN 50% OF THE BARS SHALL BE LAPPED AT ANY SECTION. LAPS CLOSE TO THE MID SPAN IN BOTTOM BARS & CLOSE TO SUPPORTS IN TOP BARS SHALL BE AVOIDED. LAP LENGTH IS 50d (d IS DIAMETRE OR BAR).
 9. - - - - - INDICATES TOP BARS
 - - - - - INDICATES BOTTOM BARS
 10. ALL R.C.C. TO BE MACHINE MIXED, VIBRATED AND CURED THOROUGHLY AS PER IS-104-LATEST.
 11. ALL FOOTING ARE CENTRALLY PLACED WITH RESPECTED TO THE CENTER LINE OF COLUMN.
 12. REINFORCEMENT SHALL BE PROVIDED IN TWO LAYERS WHEREVER FOUND NECESSARY WITH SPACER BAR TO BE PROVIDED BETWEEN TWO LAYERS OF REINFORCEMENTS AS PER IS-456-2000. SPACER BAR SHALL BE 10mm dia.
 13. ALL DIMENSIONS MUST BE CHECKED WITH ARCHITECTS DRGS & IN CASE OF ANY DISCREPANCY ARCHITECTS DRGS SHALL PREVAIL.
 14. ALL CONSTRUCTION JOINTS SHALL BE APPROVED BY CONSULTANT ON THE BASIS OF SCHEME PREPARED BY CONTRACTOR.
 15. TOP AND BOTTOM EXTRA BARS IN BEAMS TO EXTEND BEYOND THE FACE OF SUPPORT AS SHOWN IN DRG UNLESS OTHERWISE SHOWN.
 16. THE FIRST STIRRUPS IN BEAMS SHALL BE AT A DISTANCE OF 50MM FROM THE JOINT FACE THE SPECIAL CONFINING REINFORCEMENT SHALL BE PROVIDED THROUGH THE JOINT AT THE GIVEN SPACING IN COLUMNS.
 17. ALL ANGLES ARE RIGHT ANGLES UNLESS OTHERWISE SPECIFIED.
 18. PROVIDE DIST STEEL OVER EXTRA TOP BARS IS 8mm dia C/C (6") @ 150mm C/C (6").
 19. BLACK COTTON SOIL IF ENCOUNTERED IN FN PTS, SHALL BE FULLY REMOVED.
 20. ALL LOOSE POCKETS OF SOIL BELOW FOUNDATION SHALL BE FILLED WITH P.S.S:1-4.8

NAME OF PROJECT :

INTEGRATED MUSTARD OIL PROCESSING FACILITY

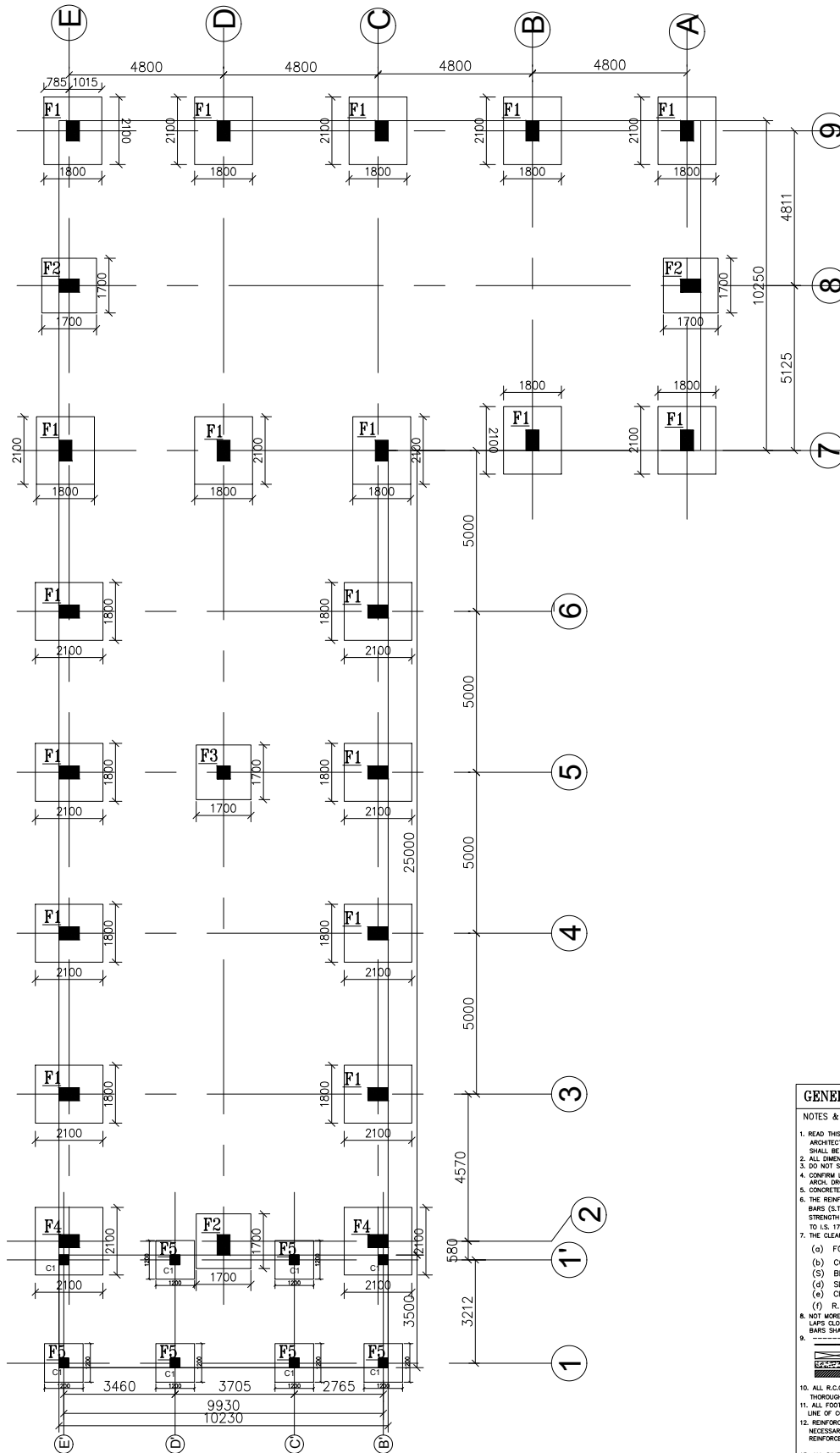
CLIENT / SPV :

BISWANATH MUSTARD OIL PRIVATE LIMITED

DRAWING TITLE - 03 CENTERLINE PLAN

PUPOSE - TENDER DRAWING

DATE- 19-07-2021



FOUNDATION PLAN

- GENERAL NOTES -**
- NOTES & REFERENCES
1. READ THIS DRAWING IN CONJUNCTION WITH RELEVANT ARCHITECTURAL DRAWINGS. ANY DISCREPANCY IF FOUND SHALL BE BROUGHT TO THE NOTICE OF CONSULTANT.
 2. ALL DIMENSIONS ARE IN MM & LEVELS IN MILLIMETERS.
 3. DO NOT SCALE ANY DIMENSION.
 4. CONFIRM LOCATION OF WALLS WITH RELEVANT ARCH. DRGS.
 5. CONCRETE GRADE IS M25
 6. THE REINFORCEMENT SHALL BE SOLDTWISTED DEFORMED BARS (S12) OR T.M.L. BARS HAVING YIELD STRENGTH NOT LESS THAN 500 N/mm² AND CONFORMING TO IS. 1786 - 2006.
 7. THE CLEAR COVER TO THE REINFORCEMENT SHALL BE AS FOLLOWS--
 - (a) FOUNDATION : 50 MM
 - (b) COLUMNS : 40 MM
 - (c) BEAMS (top & bottom) 30 MM side Cover 25mm
 - (d) SLABS : 25 MM
 - (e) CHAJJAS/CANOPY : 30 MM
 - (f) R.C.C. WALL : 30 MM(EARTH FACE) & 25MM(INNER FACE)
 8. NOT MORE THAN 50% OF THE BARS SHALL BE LAPPED AT ANY SECTION. LAPS CLOSE TO THE MID SPAN IN BOTTOM BARS & CLOSE TO SUPPORTS IN TOP BARS SHALL BE AVOIDED. LAP LENGTH IS 50d (d IS DIAMETRE OR BAR)
 9. - - - - - INDICATES TOP BARS
 - - - - - INDICATES BOTTOM BARS
 10. ALL R.C.C. TO BE MACHINE MIXED, VIBRATED AND CURED THOROUGHLY AS PER IS-1047-LATEST.
 11. ALL FOOTING ARE CENTRALLY PLACED WITH RESPECTED TO THE CENTER LINE OF COLUMN.
 12. REINFORCEMENT SHALL BE PROVIDED IN TWO LAYERS WHEREVER FOUND NECESSARY WITH SPACER BAR TO BE PROVIDED BETWEEN TWO LAYERS OF REINFORCEMENTS AS PER IS-456-- "SPACER BAR"¹²
 13. ALL DIMENSIONS MUST BE CHECKED WITH ARCHITECTS DRGS & IN CASE OF ANY DISCREPANCY ARCHITECTS DRGS SHALL PREVAIL.
 14. ALL CONSTRUCTION JOINTS SHALL BE APPROVED BY CONSULTANT ON THE BASIS OF SCHEME PREPARED BY CONTRACTOR.
 15. TOP AND BOTTOM EXTRA BARS IN BEAMS TO EXTEND BEYOND THE FACE OF SUPPORT AS SHOWN IN DRG UNLESS OTHERWISE SHOWN.
 16. THE FIRST STIRRUPS IN BEAMS SHALL BE AT A DISTANCE OF 50MM FROM THE JOINT FACE THE SPECIAL CONFINING REINFORCEMENT SHALL BE PROVIDED THROUGH THE JOINT AT THE GIVEN SPACING IN COLUMNS.
 17. ALL ANGLES ARE RIGHT ANGLES UNLESS OTHERWISE SPECIFIED.
 18. PROVIDE DIST STEEL OVER EXTRA TOP BARS IS 8mm @ C/C (e¹) 4000 C/C (e²)
 19. BLACK COTTON SOIL IF ENCOUNTERED IN FN PTS, SHALL BE FULLY REMOVED.
 20. ALL LOOSE POCKETS OF SOIL BELOW FOUNDATION SHALL BE FILLED WITH P.S.S.1-4.8

NAME OF PROJECT :

INTEGRATED MUSTARD OIL PROCESSING FACILITY

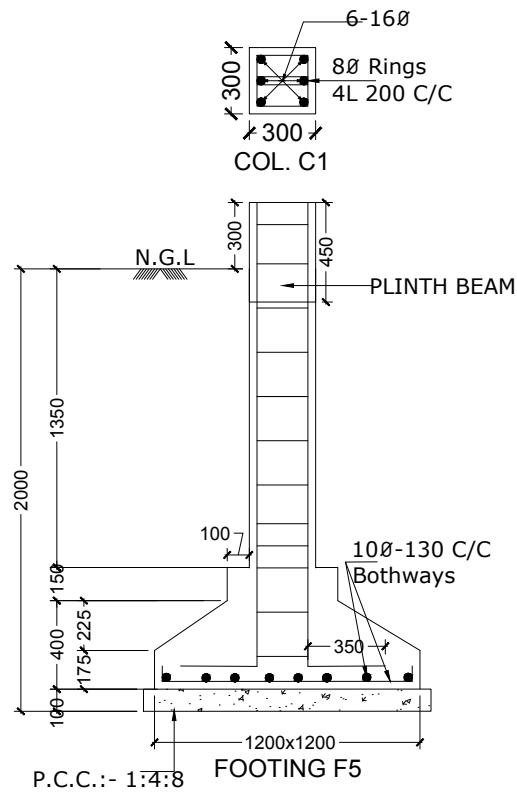
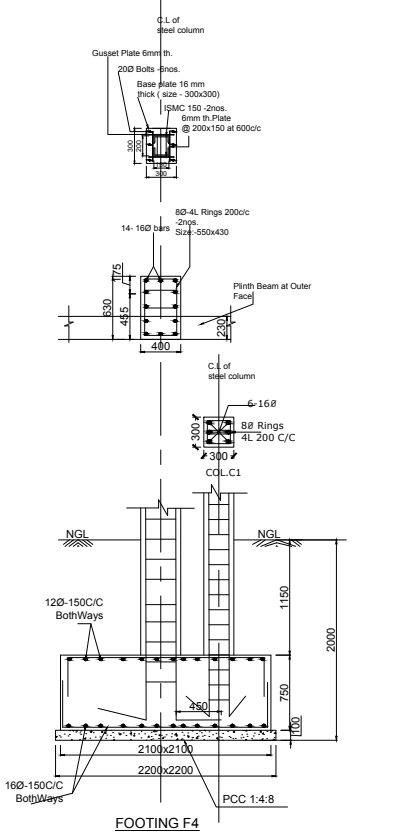
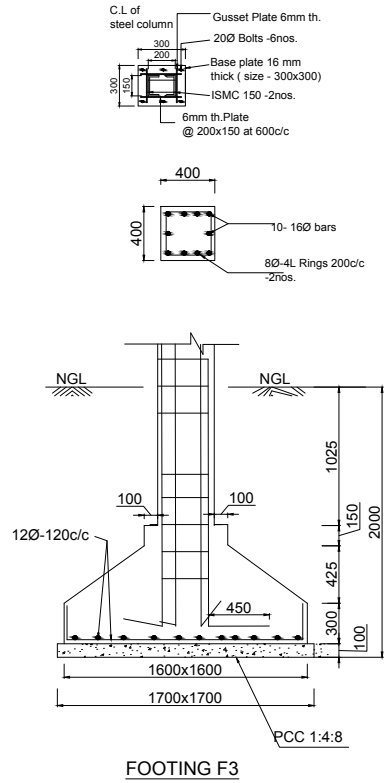
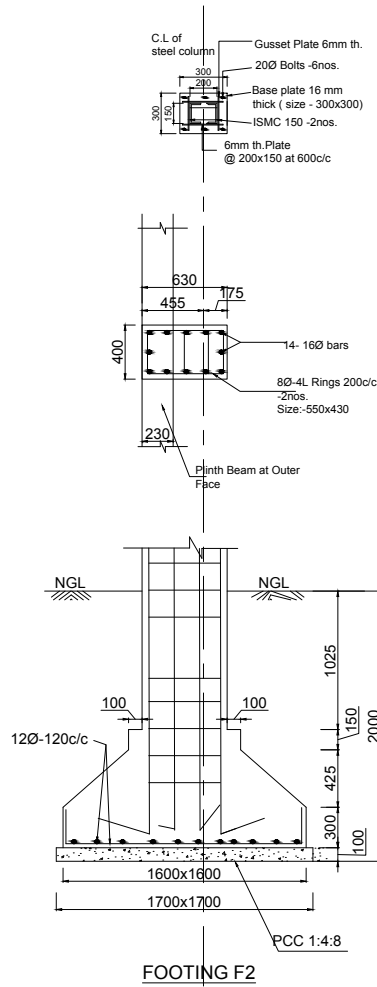
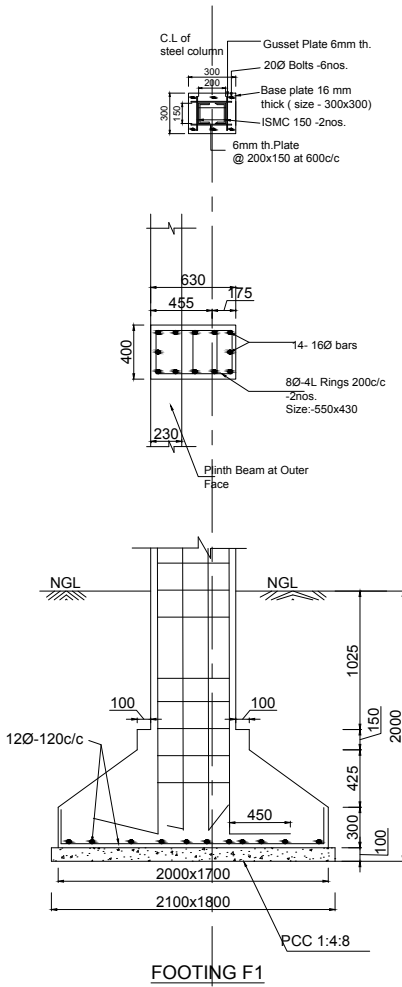
CLIENT / SPV :

BISWANATH MUSTARD OIL PRIVATE LIMITED

DRAWING TITLE - 04 FOUNDATION PLAN

PUPOSE - TENDER DRAWING

DATE- 19-07-2021

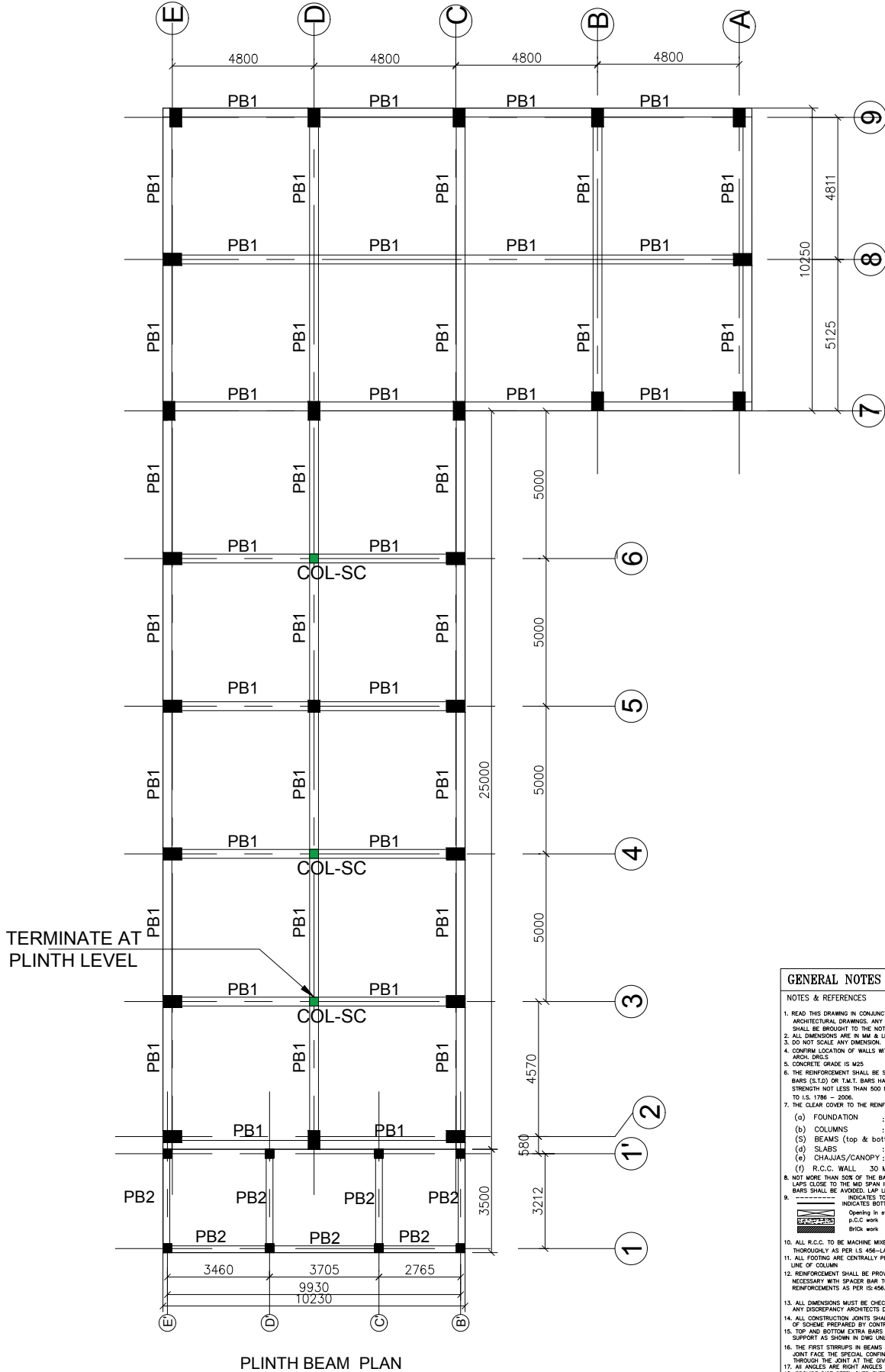


- GENERAL NOTES -**
- NOTES & REFERENCES
1. READ THIS DRAWING IN CONJUNCTION WITH RELEVANT ARCHITECTURAL DRAWINGS. ANY DISCREPANCY IF FOUND SHALL BE BROUGHT TO THE NOTICE OF CONSULTANT.
 2. ALL DIMENSIONS ARE IN MM & LEVELS IN MILLIMETERS.
 3. DO NOT SCALE ANY DIMENSION.
 4. CONFIRM LOCATION OF WALLS WITH RELEVANT WORK DROPS.
 5. CONCRETE GRADE IS M25.
 6. THE REINFORCEMENT SHALL BE SOLDTWISTED DEFORMED BARS (S12) OR T.M.L BARS HAVING YIELD STRENGTH NOT LESS THAN 500 N/mm² AND CONFORMING TO IS. 1786 - 2006.
 7. THE CLEAR COVER TO THE REINFORCEMENT SHALL BE AS FOLLOWS:-
 - (a) FOUNDATION : 50 MM
 - (b) COLUMNS : 40 MM
 - (c) BEAMS (top & bottom) 30 MM side Cover 25mm
 - (d) SLABS : 25 MM
 - (e) CHAJJAS/CANOPY : 30 MM
 - (f) R.C.C. WALL : 30 MM (EARTH FACE) & 25MM (INNER FACE)
 8. NOT MORE THAN SOLE OF THE BARS SHALL BE LAPPED AT ANY SECTION. LAPS CLOSE TO THE MID SPAN IN BOTTOM BARS & CLOSE TO SUPPORTS IN TOP BARS SHALL BE AVOIDED. LAP LENGTH IS 55d (d IS DIAMETRE OF BAR)
 9. - - - - - INDICATES TOP BARS
- - - - - INDICATES BOTTOM BARS
 10. ALL R.C.C. TO BE MACHINE MIXED, VIBRATED AND CURED THOROUGHLY AS PER IS-456-LATEST.
 11. ALL FOOTING ARE CENTRALLY PLACED WITH RESPECTED TO THE CENTER LINE OF COLUMN.
 12. REINFORCEMENT SHALL BE PROVIDED IN TWO LAYERS WHEREVER FOUND NECESSARY WITH SPACER BAR TO BE PROVIDED BETWEEN TWO LAYERS OF REINFORCEMENTS AS PER IS-456- "SPACER BAR".
 13. ALL DIMENSIONS MUST BE CHECKED WITH ARCHITECT'S DRGS & IN CASE OF ANY DISCREPANCY ARCHITECTS DRGS SHALL PREVAIL.
 14. ALL CONSTRUCTION JOINTS SHALL BE APPROVED BY CONSULTANT ON THE BASIS OF SCHEM PREPARED BY CONTRACTOR.
 15. TOP AND BOTTOM EXTRA BARS IN BEAMS TO EXTEND BEYOND THE FACE OF SUPPORT AS SHOWN IN DRG UNLESS OTHERWISE SHOWN.
 16. THE FIRST STIRRUPS IN BEAMS SHALL BE AT A DISTANCE OF 50MM FROM THE JOINT FACE THE SPECIAL CONFINING REINFORCEMENT SHALL BE PROVIDED THROUGH THE JOINT AT THE GIVEN SPACING IN COLUMNS.
 17. ALL ANGLES ARE RIGHT ANGLES UNLESS OTHERWISE SPECIFIED.
 18. PROVIDE DIST STEEL OVER EXTRA TOP BARS @ 80mm C/C (6") @ 150 C/C (6")
 19. BLACK COTTON SOIL IF ENCOUNTERED IN FN PTS, SHALL BE FULLY REMOVED.
 20. ALL LOOSE POCKETS OF SOIL BELOW FOUNDATION SHALL BE FILLED WITH P.S.S.1:4:8

NAME OF PROJECT :
INTEGRATED MUSTARD OIL
PROCESSING FACILITY

CLIENT / SPV :
BISWANATH MUSTARD OIL
PRIVATE LIMITED

DRAWING TITLE - 05 FOUNDATION DETAIL
PUPOSE - TENDER DRAWING
DATE- 19-07-2021



PLINTH BEAM PLAN

GENERAL NOTES -

- NOTES & REFERENCES
1. READ THIS DRAWING IN CONJUNCTION WITH RELEVANT ARCHITECTURAL DRAWINGS. ANY DISCREPANCY IF FOUND SHALL BE BROUGHT TO THE NOTICE OF CONSULTANT.
 2. ALL DIMENSIONS ARE IN MM & LEVELS IN MILLIMETERS.
 3. DO NOT SCALE ANY DIMENSION.
 4. CONFIRM LOCATION OF WALLS WITH RELEVANT ARCH. DRGS.
 5. CONCRETE GRADE IS M25
 6. THE REINFORCEMENT SHALL BE SLD/TWISTED DEFORMED BARS (S12) OR T.M.L. BARS HAVING YIELD STRENGTH NOT LESS THAN 500 N/mm² AND CONFORMING TO IS. 1786 - 2006.
 7. THE CLEAR COVER TO THE REINFORCEMENT SHALL BE AS FOLLOWS:-
 (a) FOUNDATION : 50 MM
 (b) COLUMNS : 40 MM
 (c) BEAMS (top & bottom) 30 MM side Cover 25mm
 (d) SLABS : 25 MM
 (e) CHAJJAS/CANOPY : 30 MM
 (f) R.C.C. WALL : 30 MM(EARTH FACE) & 25MM(INNER FACE)
 8. NOT MORE THAN 50% OF THE BARS SHALL BE LAPPED AT ANY SECTION. LAPS CLOSE TO THE MID SPAN IN BOTTOM BARS & CLOSE TO SUPPORTS IN TOP BARS SHALL BE AVOIDED. LAP LENGTH IS 55d (d IS DIAMETER OR BAR).
 9. - - - - - INDICATES TOP BARS
 - - - - - INDICATES BOTTOM BARS
 [Symbol] Opening in structural element
 [Symbol] p.c.c work
 [Symbol] Brick work
 10. ALL R.C.C. TO BE MACHINE MIXED, VIBRATED AND CURED THOROUGHLY AS PER IS: 456-LATEST.
 11. ALL FOOTING ARE CENTRALLY PLACED WITH RESPECTED TO THE CENTER LINE OF COLUMN.
 12. REINFORCEMENT SHALL BE PROVIDED IN TWO LAYERS WHEREVER FOUND NECESSARY WITH SPACER BAR TO BE PROVIDED BETWEEN TWO LAYERS OF REINFORCEMENTS AS PER IS: 456-LATEST.
 13. ALL DIMENSIONS MUST BE CHECKED WITH ARCHITECT'S DRGS & IN CASE OF ANY DISCREPANCY ARCHITECTS DRGS SHALL PREVAIL.
 14. ALL CONSTRUCTION JOINTS SHALL BE APPROVED BY CONSULTANT ON THE BASIS OF SCHEME PREPARED BY CONTRACTOR.
 15. TOP AND BOTTOM EXTRA BARS IN BEAMS TO EXTEND BEYOND THE FACE OF SUPPORT AS SHOWN IN DRG UNLESS OTHERWISE SHOWN.
 16. THE FIRST STIRRUPS IN BEAMS SHALL BE AT A DISTANCE OF 50MM FROM THE JOINT FACE THE SPECIAL CONFINING REINFORCEMENT SHALL BE PROVIDED THROUGH THE JOINT AT THE GIVEN SPACING IN COLUMNS.
 17. ALL ANGLES ARE RIGHT ANGLES UNLESS OTHERWISE SPECIFIED.
 18. PROVIDE DIST STEEL OVER EXTRA TOP BARS IS 8mm @ C/C (e²) @ 400 C/C (e²)
 19. BLACK COTTON SOIL IF ENCOUNTERED IN FN PTS, SHALL BE FULLY REMOVED.
 20. ALL LOOSE POCKETS OF SOIL BELOW FOUNDATION SHALL BE FILLED WITH P.S.S:1:4:8

NAME OF PROJECT :

INTEGRATED MUSTARD OIL PROCESSING FACILITY

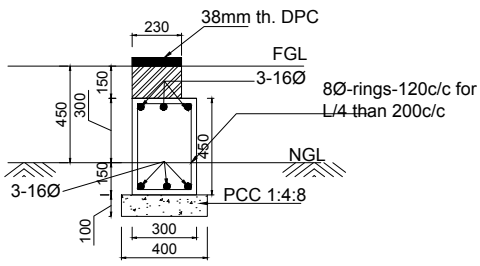
CLIENT / SPV :

BISWANATH MUSTARD OIL PRIVATE LIMITED

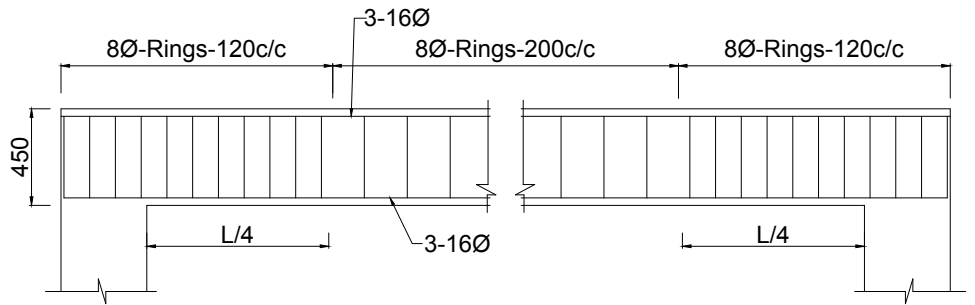
DRAWING TITLE - 06 PLINTH BEAM PLAN

PUPOSE - TENDER DRAWING

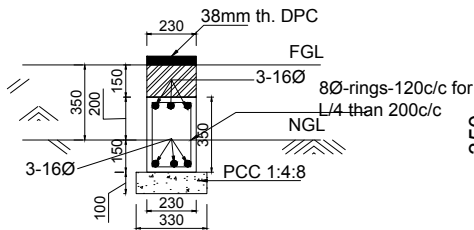
DATE- 19-07-2021



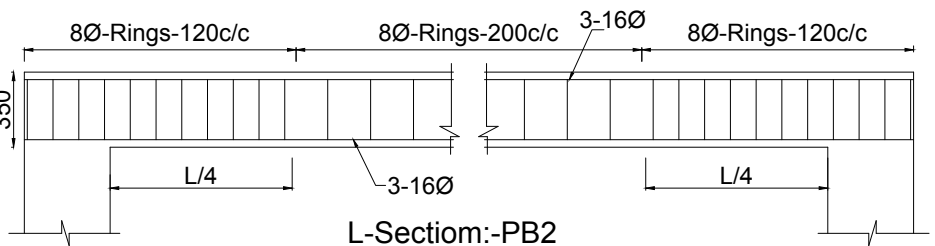
Plinth Beam:-PB1



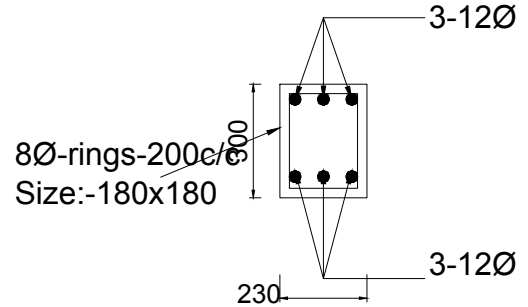
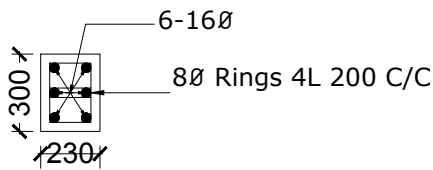
L-Section:-PB1



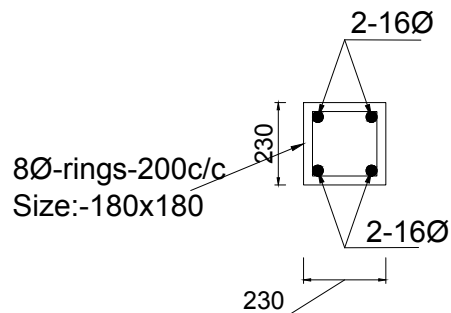
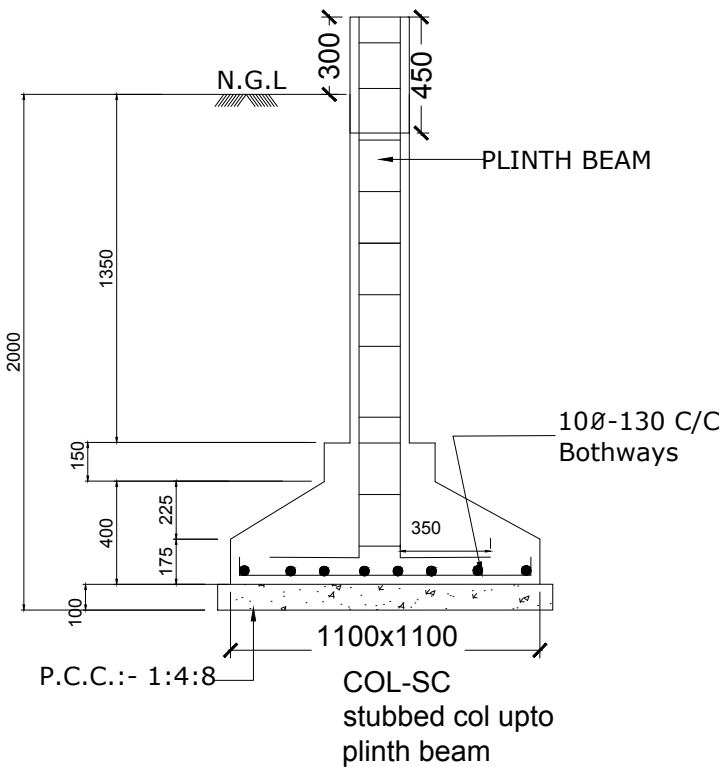
Plinth Beam:-PB2



L-Section:-PB2



**Beam:-LB1
at 2.7m Lvl.**



**Column C1 from the pedestal
reinforcement used from the
pedestal**

NAME OF PROJECT :

INTEGRATED MUSTARD OIL
PROCESSING FACILITY

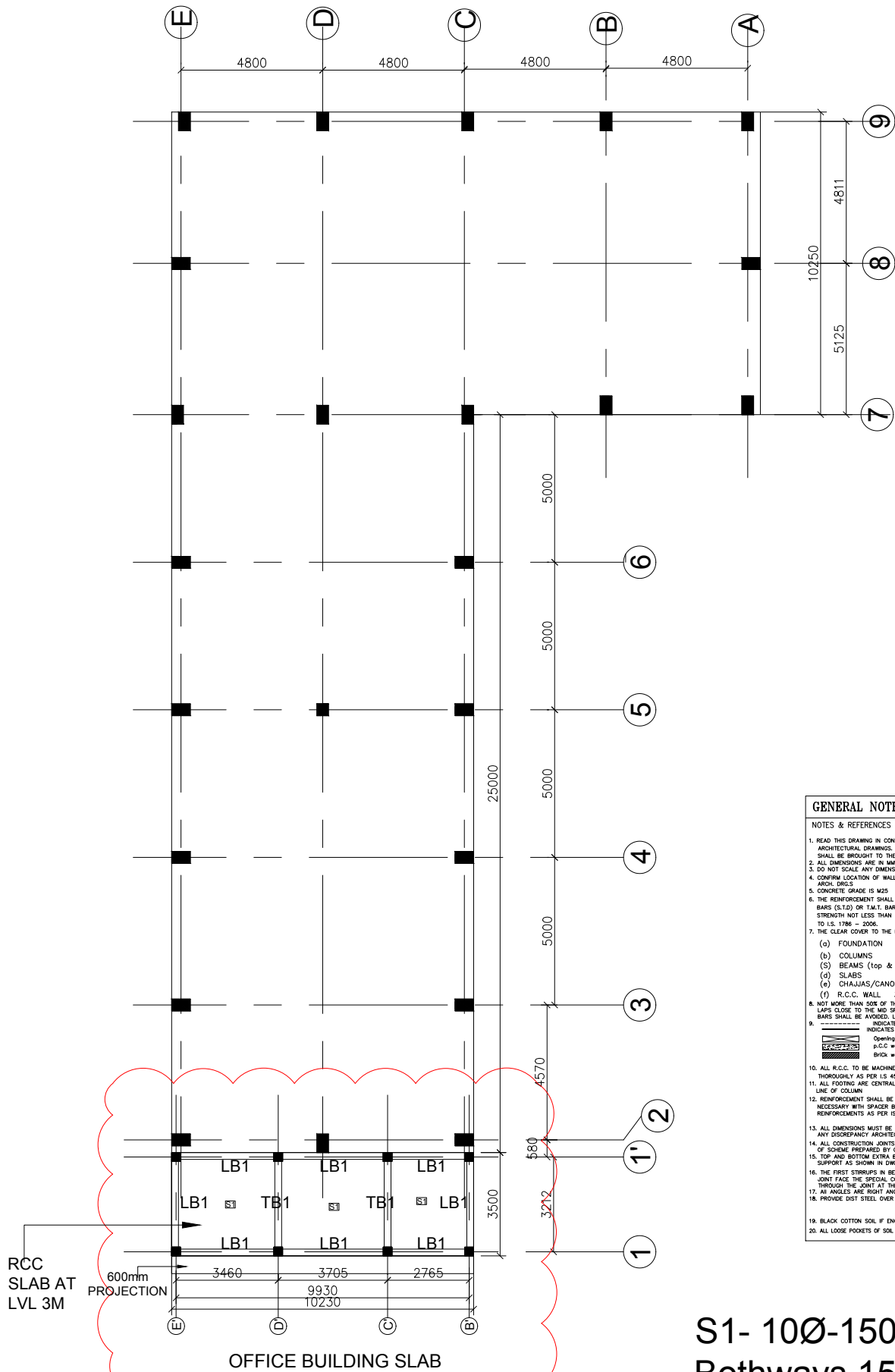
CLIENT / SPV :

BISWANATH MUSTARD OIL
PRIVATE LIMITED

DRAWING TITLE - 07 PLINTH BEAM DETAIL

PUPOSE - TENDER DRAWING

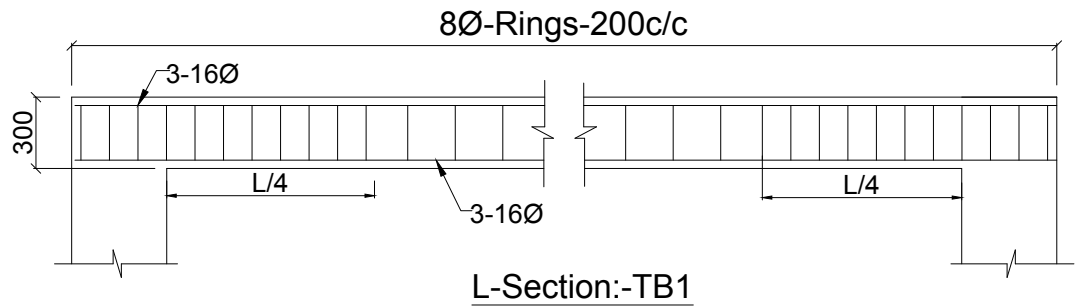
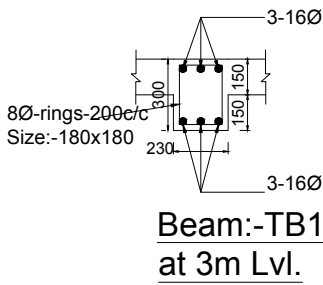
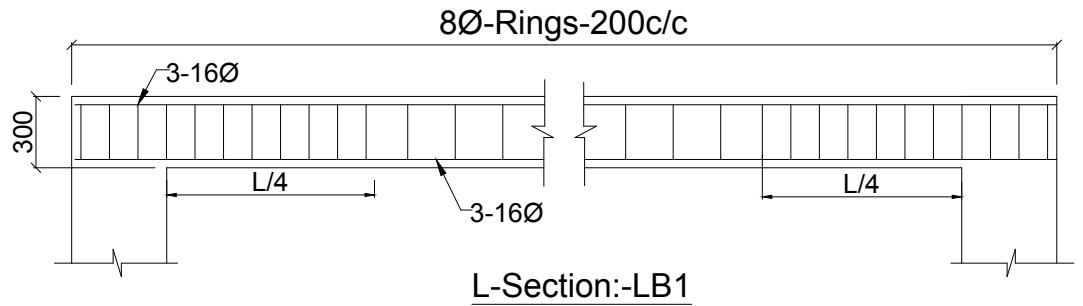
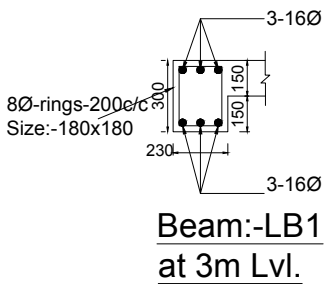
DATE- 19-07-2021



- GENERAL NOTES -**
1. READ THIS DRAWING IN CONJUNCTION WITH RELEVANT ARCHITECTURAL DRAWINGS. ANY DISCREPANCY IF FOUND SHALL BE BROUGHT TO THE NOTICE OF CONSULTANT
 2. ALL DIMENSIONS ARE IN MM & LEVELS IN MILLIMETERS.
 3. DO NOT SCALE ANY DIMENSION.
 4. CONFIRM LOCATION OF WALLS WITH RELEVANT ARCH. DRGS.
 5. CONCRETE GRADE IS M25
 6. THE REINFORCEMENT SHALL BE SOLD/TWISTED DEFORMED BARS (S.T.D) OR T.M.T. BARS HAVING YIELD STRENGTH NOT LESS THAN 500 N/mm² AND CONFORMING TO IS: 1786 - 2006.
 7. THE CLEAR COVER TO THE REINFORCEMENT SHALL BE AS FOLLOWS:-
 - (a) FOUNDATION : 50 MM
 - (b) COLUMNS : 40 MM
 - (c) BEAMS (top & bottom) 30 MM side Cover 25mm
 - (d) SLABS : 25 MM
 - (e) CHAJJAS/CANOPY : 30 MM
 - (f) R.C.C. WALL 30 MM(EARTH FACE) & 25MM(INNER FACE)
 8. NOT MORE THAN 50% OF THE BARS SHALL BE LAPPED AT ANY SECTION. LAPS CLOSE TO THE MID SPAN IN BOTTOM BARS & CLOSE TO SUPPORTS IN TOP BARS SHALL BE AVOIDED. LAP LENGTH IS 50d (d IS DIAMETER OR BAR)
 9. INDICATES TOP BARS
 ----- INDICATES BOTTOM BARS
 [Symbol] Opening in structural element
 [Symbol] p.c.c work
 [Symbol] Brick work
 10. ALL R.C.C. TO BE MACHINE MIXED, VIBRATED AND CURED THOROUGHLY AS PER IS 456-LATEST.
 11. ALL FOOTING ARE CENTRALLY PLACED WITH RESPECTED TO THE CENTER LINE OF COLUMN
 12. REINFORCEMENT SHALL BE PROVIDED IN TWO LAYERS WHENEVER FOUND NECESSARY WITH SPACER BAR TO BE PROVIDED BETWEEN TWO LAYERS OF REINFORCEMENTS AS PER IS:456-SPACER BARS
 13. ALL DIMENSIONS MUST BE CHECKED WITH ARCHITECT'S DRGS & IN CASE OF ANY DISCREPANCY ARCHITECTS DRGS SHALL PREVAIL.
 14. ALL CONSTRUCTION JOINTS SHALL BE APPROVED BY CONSULTANT ON THE BASIS OF SCHEME PREPARED BY CONTRACTOR.
 15. TOP AND BOTTOM EXTRA BARS IN BEAMS TO EXTEND BEYOND THE FACE OF SUPPORT AS SHOWN IN DWG UNLESS OTHERWISE SHOWN.
 16. THE FIRST STIRRUPS IN BEAMS SHALL BE AT A DISTANCE OF 50MM FROM THE JOINT FACE THE SPECIAL COVERING REINFORCEMENT SHALL BE PROVIDED THROUGH THE JOINT AT THE GIVEN SPACING IN COLUMNS.
 17. ALL ANGLES ARE RIGHT ANGLES UNLESS OTHERWISE SPECIFIED.
 18. PROVIDE DIST STEEL OVER EXTRA TOP BARS IS: 8Ø150 C/C (6")
 19. BLACK COTTON SOIL IF ENCOUNTERED IN FN PITS, SHALL BE FULLY REMOVED.
 20. ALL LOOSE POCKETS OF SOIL BELOW FOUNDATION SHALL BE FILLED WITH P.S.S:1:4:8

S1- 10Ø-150C/C
Bothways 150TH.

NAME OF PROJECT : INTEGRATED MUSTARD OIL PROCESSING FACILITY	CLIENT / SPV : BISWANATH MUSTARD OIL PRIVATE LIMITED	DRAWING TITLE - 08 OFFICE BUILDING SLAB PLAN
		PUPOSE - TENDER DRAWING
		DATE- 19-07-2021



GENERAL NOTES -

- NOTES & REFERENCES
1. READ THIS DRAWING IN CONJUNCTION WITH RELEVANT ARCHITECTURAL DRAWINGS. ANY DISCREPANCY IF FOUND SHALL BE BROUGHT TO THE NOTICE OF CONSULTANT.
 2. ALL DIMENSIONS ARE IN MM & LEVELS IN MILLIMETERS.
 3. DO NOT SCALE ANY DIMENSION.
 4. CONFIRM LOCATION OF WALLS WITH RELEVANT WORK DROGS.
 5. CONCRETE GRADE IS M25
 6. THE REINFORCEMENT SHALL BE SOLDTWISTED DEFORMED BARS (S.D) OR T.M.L. BARS HAVING YIELD STRENGTH NOT LESS THAN 500 N/mm² AND CONFORMING TO IS. 1786 - 2006.
 7. THE CLEAR COVER TO THE REINFORCEMENT SHALL BE AS FOLLOWS:-
 - (a) FOUNDATION : 50 MM
 - (b) COLUMNS : 40 MM
 - (c) BEAMS (top & bottom) 30 MM side Cover 25mm
 - (d) SLABS : 25 MM
 - (e) CHAJJAS/CANOPY : 30 MM
 - (f) R.C.C. WALL : 30 MM(EARTH FACE) & 25MM(INNER FACE)
 8. NOT MORE THAN 50% OF THE BARS SHALL BE LAPPED AT ANY SECTION. LAPS CLOSE TO THE MID SPAN IN BOTTOM BARS & CLOSE TO SUPPORTS IN TOP BARS SHALL BE AVOIDED. LAP LENGTH IS 35d (d IS DIAMETRE OF BAR)
 9. - - - - - INDICATES TOP BARS
- - - - - INDICATES BOTTOM BARS
 10. ALL R.C.C. TO BE MACHINE MIXED, VIBRATED AND CURED THOROUGHLY AS PER IS-456-LATEST.
 11. ALL FOOTING ARE CENTRALLY PLACED WITH RESPECTED TO THE CENTER LINE OF COLUMN.
 12. REINFORCEMENT SHALL BE PROVIDED IN TWO LAYERS WHEREVER FOUND NECESSARY WITH SPACER BAR TO BE PROVIDED BETWEEN TWO LAYERS OF REINFORCEMENTS AS PER IS-456.
 13. ALL DIMENSIONS MUST BE CHECKED WITH ARCHITECTS DRGS & IN CASE OF ANY DISCREPANCY ARCHITECTS DRGS SHALL PREVAIL.
 14. ALL CONSTRUCTION JOINTS SHALL BE APPROVED BY CONSULTANT ON THE BASIS OF SCHEME PREPARED BY CONTRACTOR.
 15. TOP AND BOTTOM EXTRA BARS IN BEAMS TO EXTEND BEYOND THE FACE OF SUPPORT AS SHOWN IN Dwg UNLESS OTHERWISE SHOWN.
 16. THE FIRST STIRRUPS IN BEAMS SHALL BE AT A DISTANCE OF 50MM FROM THE JOINT FACE THE SPECIAL CONFINING REINFORCEMENT SHALL BE PROVIDED THROUGH THE JOINT AT THE GIVEN SPACING IN COLUMNS.
 17. ALL ANGLES ARE RIGHT ANGLES UNLESS OTHERWISE SPECIFIED.
 18. PROVIDE DIST STEEL OVER EXTRA TOP BARS IS 8BBS/C/C (6")
 19. BLACK COTTON SOIL IF ENCOUNTERED IN FN PTS, SHALL BE FULLY REMOVED.
 20. ALL LOOSE POCKETS OF SOIL BELOW FOUNDATION SHALL BE FILLED WITH P.S.S:1:4:8

NAME OF PROJECT :

**INTEGRATED MUSTARD OIL
PROCESSING FACILITY**

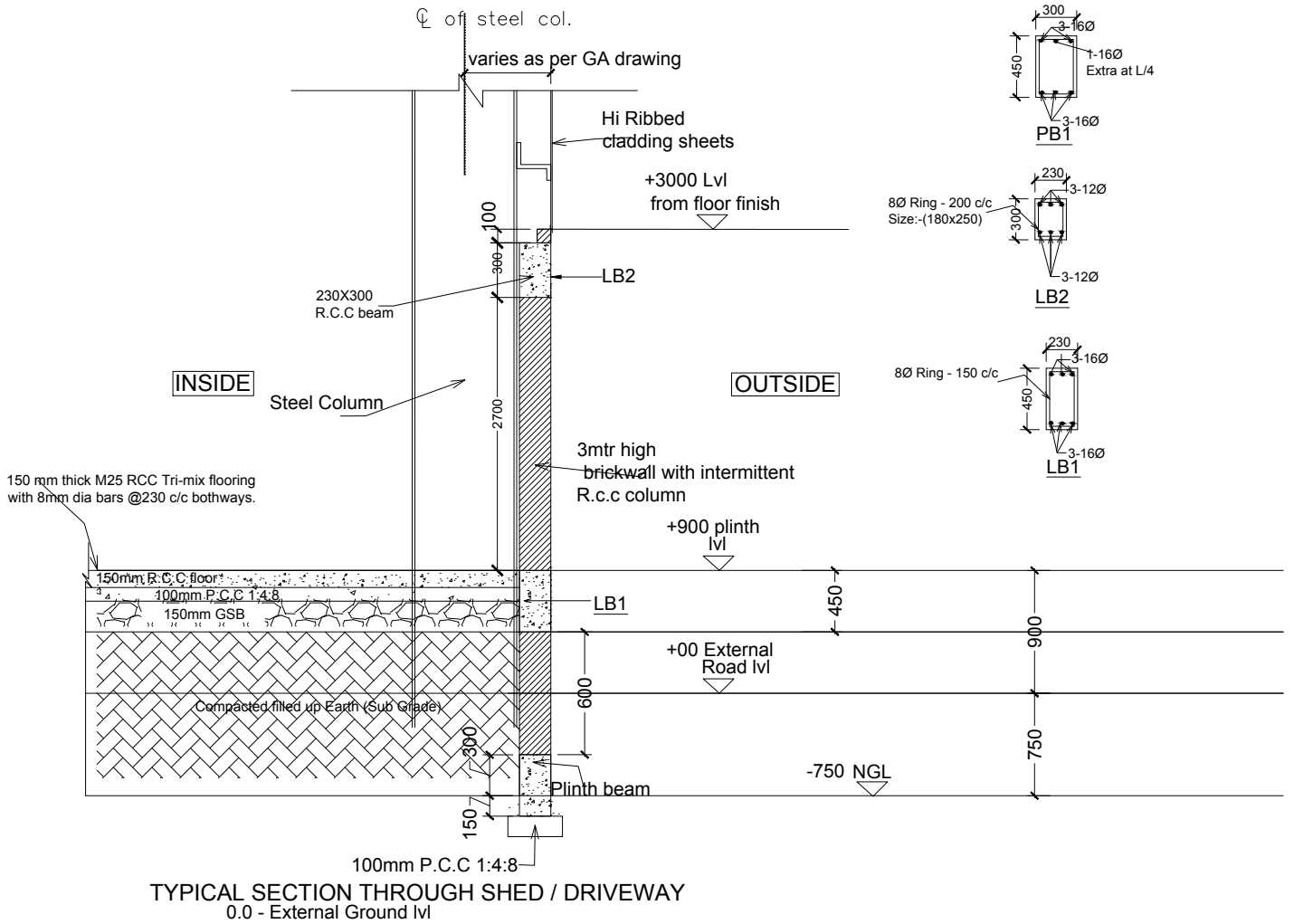
CLIENT / SPV :

**BISWANATH MUSTARD OIL
PRIVATE LIMITED**

**DRAWING TITLE - 09 OFFICE BUILDING
SLAB DETAIL**

PUPOSE - TENDER DRAWING

DATE- 19-07-2021



NAME OF PROJECT :

INTEGRATED MUSTARD OIL
PROCESSING FACILITY

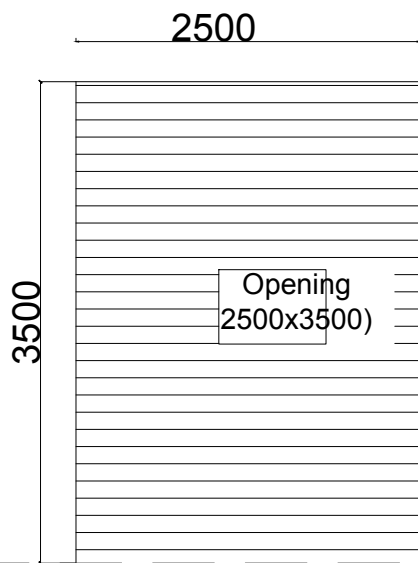
CLIENT / SPV :

BISWANATH MUSTARD OIL
PRIVATE LIMITED

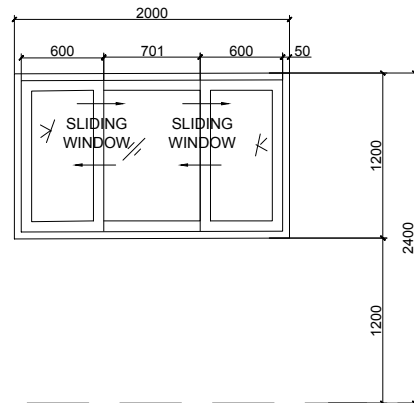
DRAWING TITLE - 10 TYPICAL
SECTION THROUGH SHED

PUPOSE - TENDER DRAWING

DATE- 19-07-2021



RS-Rolling Shutter
(2500x3500)



W1(2000X1200)
ALUMINIUM

NAME OF PROJECT :

INTEGRATED MUSTARD OIL
PROCESSING FACILITY

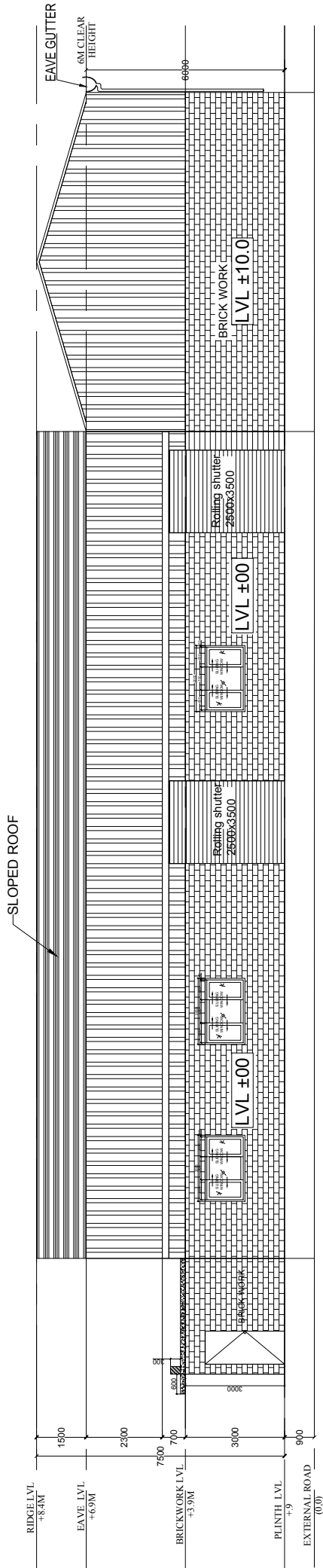
CLIENT / SPV :

BISWANATH MUSTARD OIL
PRIVATE LIMITED

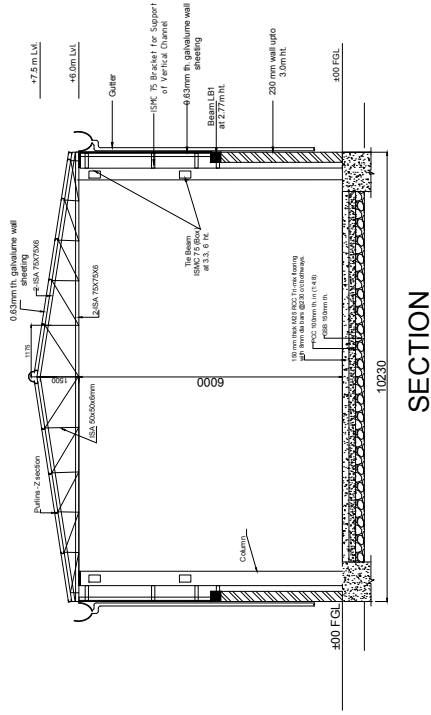
DRAWING TITLE - 11 DOOR WINDOW

PUPOSE - TENDER DRAWING

DATE- 19-07-2021



ELEVATION - A



<p>NAME OF PROJECT : INTEGRATED MUSTARD OIL PROCESSING FACILITY</p>	<p>CLIENT / SPV : BISWANATH MUSTARD OIL PRIVATE LIMITED</p>	<p>DRAWING TITLE : SECTION ELEVATION PLAN</p>	<p>DRAWING NO. : 12</p>
<p>PUPOSE - TENDER DRAWING</p>		<p>DATE - 19-07-2021</p>	

Format of certificate

Certified that the works upto ----- level in respect of construction of ----- at ----- have been executed in accordance with the approved drawings and technical specifications.

Signature
Name & Designation
(Official address)

Place:
Date:

Office seal

Form of Bid Security (Bank Guarantee)

[Guarantor letterhead or SWIFT identifier code]

Beneficiary:

[Insert name and address of the Employer]

Invitation for Bids No: *[Insert reference number for the Invitation for Bids]*

Date: *[Insert date of issue]*

BID GUARANTEE No.: *[Insert guarantee reference number]*

Guarantor: *[Insert name and address of place of issue, unless indicated in the letterhead]*

We have been informed that *[insert name of the Bidder, which in the case of a joint venture shall be the name of the joint venture (whether legally constituted or prospective) or the names of all members thereof]* (hereinafter called "the Applicant") has submitted or will submit to the Beneficiary its bid (hereinafter called "the Bid") for the execution of *[insert description of contract]* under Invitation for Bids No. *[insert number]* ("the IFB").

Furthermore, we understand that, according to the Beneficiary's conditions, bids must be supported by a bid guarantee.

At the request of the Applicant, we, as Guarantor, hereby irrevocably undertake to pay the Beneficiary any sum or sums not exceeding in total an amount of *[insert amount in letters]* (*insert amount in numbers*) upon receipt by us of the Beneficiary's complying supported by the Beneficiary's statement, whether in the demand itself or a separate signed document accompanying or identifying the demand, stating either that the Applicant:

- (a) has withdrawn its Bid during the period of bid validity specified by the Applicant in the Letter of Bid, or any extension thereto provided by the Applicant; or
- (b) having been notified of the acceptance of its Bid by the Beneficiary during the period of bid validity, (i) fails to execute the Contract Agreement or (ii) fails to furnish the performance security, in accordance with the Instructions to Bidders ("ITB") of the Beneficiary's bidding document; or
- (c) does not accept the correction of its bid price pursuant to ITB Clause 9.1.

This guarantee will expire: (a) if the Applicant is the successful Bidder, upon our receipt of copies of the contract agreement signed by the Applicant and the performance security issued to the Beneficiary upon the instruction of the Applicant; and (b) if the Applicant is not the successful Bidder, upon the earlier of (i) our receipt of a copy of the Beneficiary's notification to the Applicant

of the results of the bidding process; or (ii) forty-five days after the Validity Period, which date shall be established by presentation to us of copies of the Letter of Bid and any extension(s) thereto, accompanied by the bidding document; or (c) three years after the date of issue of this guarantee.

Consequently, any demand for payment under this guarantee must be received by us at the office indicated above on or before that date.

[signature(s)]

Note: All italicized text is for use in preparing this form and shall be deleted from the final product.

BANK GUARANTEE FOR ADVANCE PAYMENT

To: The Managing Director of M/s., "BISWANATH MUSTARD OIL PRIVATE LIMITED",
VILLAGE: CHENGMORA JARANI (SUTAR DOLONI), PO: KALABARI, DISTRICT:
BISWANATH

CONSTRUCTION OF MUSTARD OIL PROCESSING CENTER, VILLAGE: CHENGMORA
JARANI (SUTAR DOLONI), PO: KALABARI, BLOCK: PUB CHAUDUAR, DISTRICT:
BISWANATH

Gentlemen:

In accordance with the provisions of the Conditions of Contract, subclause 3.1 of the above-mentioned Contract, _____ [*name and address of Contractor*] (hereinafter called "the Contractor") shall deposit with _____ [*name of Employer*] a bank guarantee to guarantee his proper and faithful performance under the said Clause of the Contract in an amount of _____ [*amount of guarantee*]
1 _____ [*in words*].

We, the _____ [*bank or financial institution*], as instructed by the Contractor, agree unconditionally and irrevocably to guarantee as primary obligator and not as Surety merely, the payment to _____ [*name of Employer*] on his first demand without whatsoever right of objection on our part and without his first claim to the Contractor, in the amount not exceeding _____ [*amount of guarantee*]¹
_____ [*in words*].

We further agree that no change or addition to or other modification of the terms of the Contract or of Works to be performed thereunder or of any of the Contract documents which may be made between _____ [*name of Employer*] and the Contractor, shall in any way release us from any liability under this guarantee, and we hereby waive notice of any such change, addition or modification.

This guarantee shall remain valid and in full effect from the date of the advance payment under the Contract until _____ [*name of Employer*] receives full repayment of the same amount from the Contractor.

Yours truly,

Signature and seal: _____

Name of Bank/Financial Institution: _____

Address: _____

Date: _____

1 An amount shall be inserted by the bank or financial institution representing the amount of the Advance Payment, and denominated in Indian Rupees.

PERFORMANCE BANK GUARANTEE

To: The Managing Director of M/s., "BISWANATH MUSTARD OIL PRIVATE LIMITED",
VILLAGE: CHENGMORA JARANI (SUTAR DOLONI), PO: KALABARI, DISTRICT:
BISWANATH

WHEREAS _____ [name and address of Contractor] (hereinafter called "the Contractor") has undertaken, in pursuance of Contract No. _____ dated _____ to execute _____ [name of Contract and brief description of Works] (hereinafter called "the Contract");

AND WHEREAS it has been stipulated by you in the said Contract that the Contractor shall furnish you with a Bank Guarantee by a recognized bank for the sum specified therein as security for compliance with his obligations in accordance with the Contract;

AND WHEREAS we have agreed to give the Contractor such a Bank Guarantee;

NOW THEREFORE we hereby affirm that we are the Guarantor and responsible to you, on behalf of the Contractor, up to a total of _____ [amount of guarantee] / _____ [in words], such sum being payable in the types and proportions of currencies in which the Contract Price is payable, and we undertake to pay you, upon your first written demand and without cavil or argument, any sum or sums within the limits of _____ [amount of guarantee]¹ as aforesaid without your needing to prove or to show grounds or reasons for your demand for the sum specified therein.

We hereby waive the necessity of your demanding the said debt from the Contractor before presenting us with the demand.

We further agree that no change or addition to or other modification of the terms of the Contract or of the Works to be performed thereunder or of any of the Contract documents which may be made between you and the Contractor shall in any way release us from any liability under this guarantee, and we hereby waive notice of any such change, addition or modification.

This guarantee shall be valid until 28 days after the date of issue of the Certificate of Completion.

Signature and seal of the guarantor _____
Name of Bank _____
Address _____
Date _____

1 An amount shall be inserted by the Guarantor, representing the percentage of the Contract Price specified in the Contract including additional security for unbalanced Bids, if any and denominated in Indian Rupees.

Section C. World Bank Policy on Corrupt and Fraudulent Practices

Guidelines for Procurement of Goods, Works, and Non-Consulting Services under IBRD Loans and IDA Credits & Grants by World Bank Borrowers, dated January 2011.

“Fraud and Corruption:

1.16 It is the Bank’s policy to require that Borrowers (including beneficiaries of Bank loans), bidders, suppliers, contractors and their agents (whether declared or not), sub-contractors, sub-consultants, service providers or suppliers, and any personnel thereof, observe the highest standard of ethics during the procurement and execution of Bank-financed contracts. In pursuance of this policy, the Bank:

- (a) defines, for the purposes of this provision, the terms set forth below as follows:
 - (i) “corrupt practice” is the offering, giving, receiving, or soliciting, directly or indirectly, of anything of value to influence improperly the actions of another party;
 - (ii) “fraudulent practice” is any act or omission, including a misrepresentation, that knowingly or recklessly misleads, or attempts to mislead, a party to obtain a financial or other benefit or to avoid an obligation;
 - (iii) “collusive practice” is an arrangement between two or more parties designed to achieve an improper purpose, including to influence improperly the actions of another party;
 - (iv) “coercive practice” is impairing or harming, or threatening to impair or harm, directly or indirectly, any party or the property of the party to influence improperly the actions of a party;
 - (v) “obstructive practice” is
 - (aa) deliberately destroying, falsifying, altering, or concealing of evidence material to the investigation or making false statements to investigators in order to materially impede a Bank investigation into allegations of a corrupt, fraudulent, coercive or collusive practice; and/or threatening, harassing or intimidating any party to prevent it from disclosing its knowledge of matters relevant to the investigation or from pursuing the investigation, or
 - (bb) acts intended to materially impede the exercise of the Bank’s inspection and audit rights provided for under paragraph 1.16(e) below.
- (b) will reject a proposal for award if it determines that the bidder recommended for award, or any of its personnel, or its agents, or its sub-consultants, sub-contractors, service providers, suppliers and/or their employees, has, directly or indirectly, engaged in corrupt, fraudulent, collusive, coercive, or obstructive practices in competing for the contract in question;

- (c) will declare misprocurement and cancel the portion of the loan allocated to a contract if it determines at any time that representatives of the Borrower or of a recipient of any part of the proceeds of the loan engaged in corrupt, fraudulent, collusive, coercive, or obstructive practices during the procurement or the implementation of the contract in question, without the Borrower having taken timely and appropriate action satisfactory to the Bank to address such practices when they occur, including by failing to inform the Bank in a timely manner at the time they knew of the practices;
- (d) will sanction a firm or individual, at any time, in accordance with the prevailing Bank's sanctions procedures, including by publicly declaring such firm or individual ineligible, either indefinitely or for a stated period of time: (i) to be awarded a Bank-financed contract; and (ii) to be a nominated sub-contractor, consultant, supplier, or service provider of an otherwise eligible firm being awarded a Bank-financed contract;
- (e) will require that a clause be included in bidding documents and in contracts financed by a Bank loan, requiring bidders, suppliers and contractors, and their sub-contractors, agents, personnel, consultants, service providers, or suppliers, to permit the Bank to inspect all accounts, records, and other documents relating to the submission of bids and contract performance, and to have them audited by auditors appointed by the Bank.